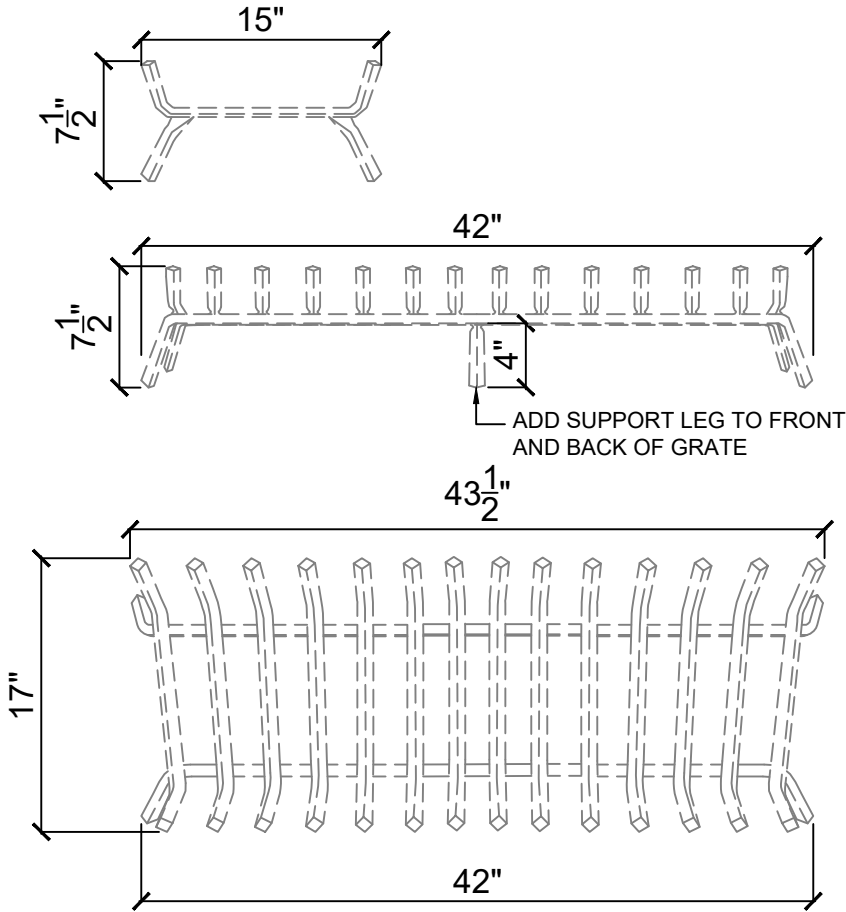


42"L X 17"W X 7.5"H GRATE



**** Recommended Fire Pit Structure Venting:**
 18SQ inches on opposing sides or equal therein.
 Refer to local codes and inspectors for specific requirements.

PLAN VIEW

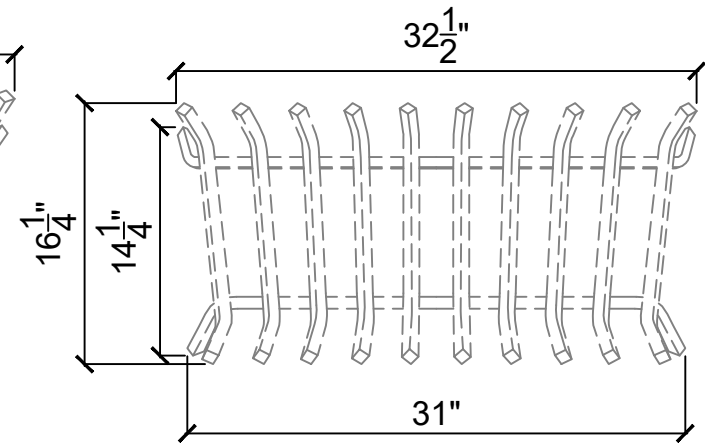
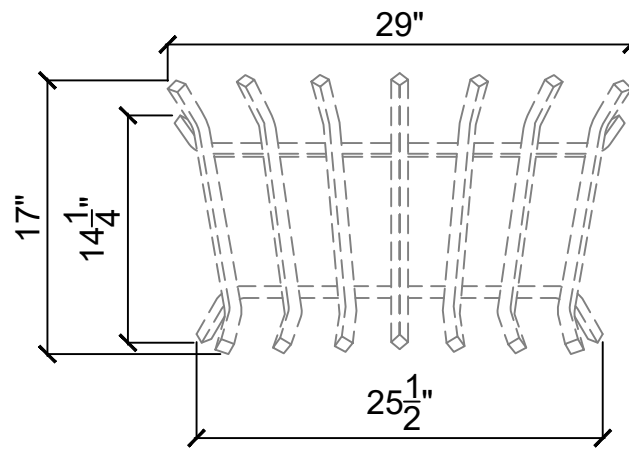
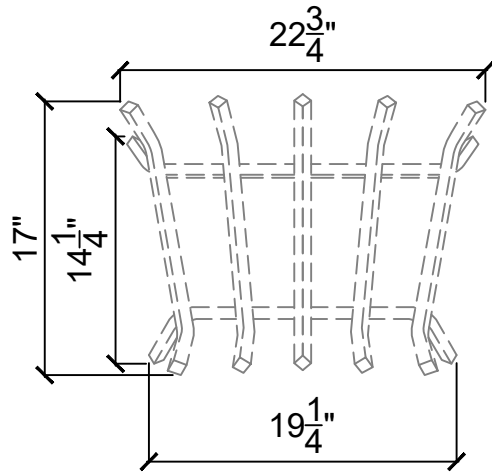
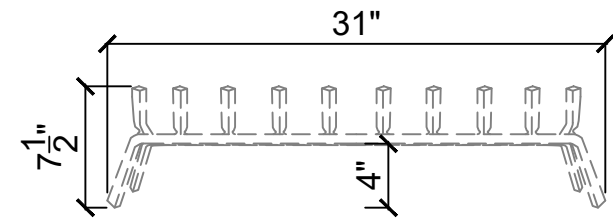
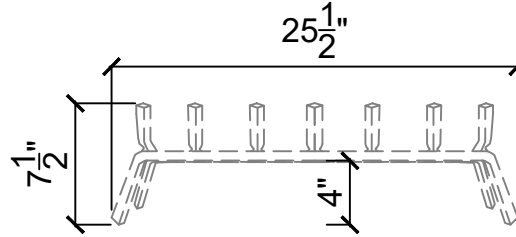
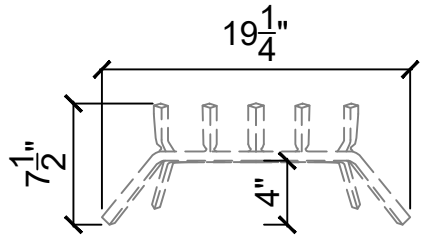
WARMING TRENDS

CROSSFIRE
 BRASS BURNERS

www.warming-trends.com

CONFIDENTIAL:
 Any information data and drawings embodied in this document are proprietary and strictly confidential, are to be held as confidential and supplied with the understanding that they will not be disclosed, in whole or in part or in any form, to third parties without the prior written consent of Warming Trends, Inc. All information, illustrations, screen shots, and data contained are herein Copyright © Warming Trends Inc. all rights reserved.

Date: 01/24/2024	Customer:	Approved by:
Scale: 1" = 1'-0"	Estimate #:	Approval Date:
Tolerance: 0.75"	Revision Date:	Designer: BLD
Dwg: S:_AutoCad Drawings\Bethany\GRATE FILES		



PLAN VIEW

**** Recommended Fire Pit Structure Venting:**

18SQ inches on opposing sides or equal therein.

Refer to local codes and inspectors for specific requirements.



www.warming-trends.com

CONFIDENTIAL:

Any information data and drawings embodied in this document are proprietary and strictly confidential, are to be held as confidential and supplied with the understanding that they will not be disclosed, in whole or in part or in any form, to third parties without the prior written consent of Warming Trends, Inc. All information, illustrations, screen shots, and data contained are herein Copyright © Warming Trends Inc. all rights reserved.

Date:	Customer:	Approved by:
Scale:	Estimate #:	Approval Date:
Tolerance: 0.75"	Revision Date:	Designer:
Dwg: S:_AutoCad Drawings\Bethany\GRATE FILES		