
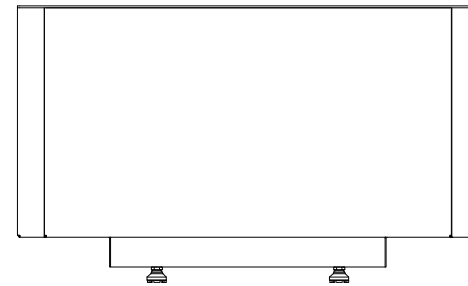
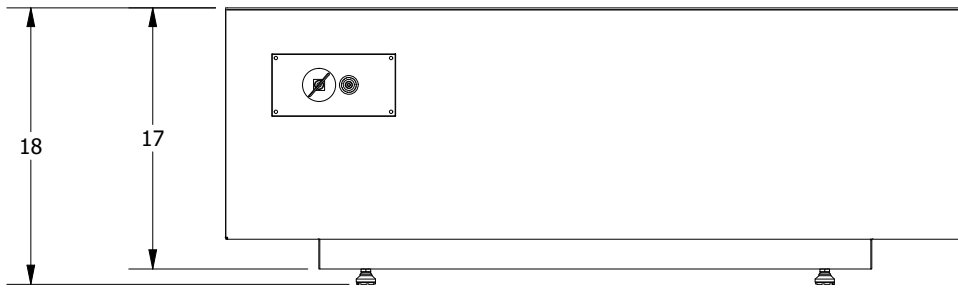
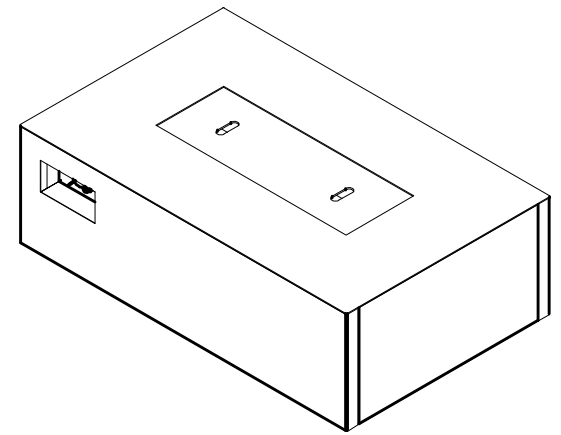
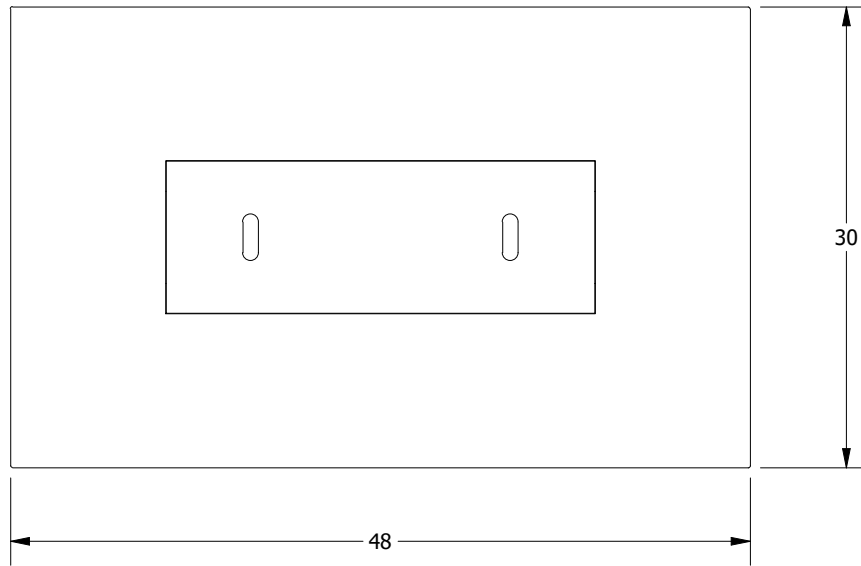

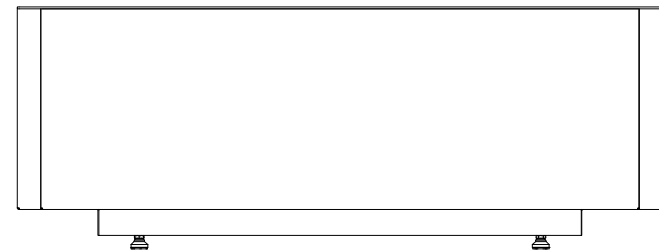
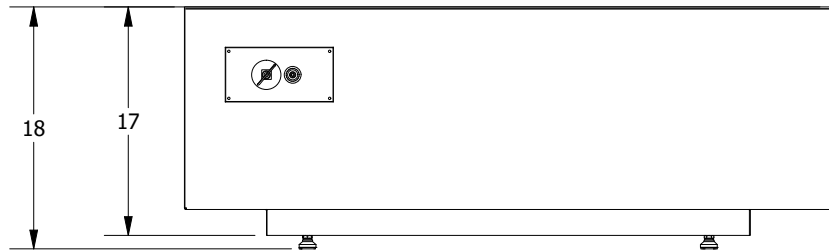
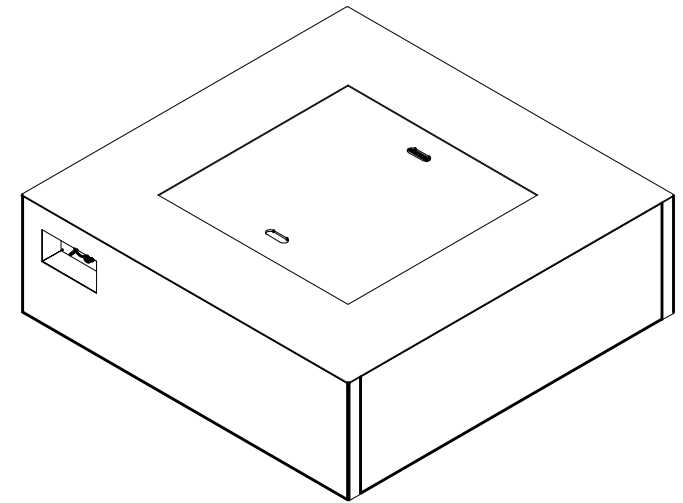
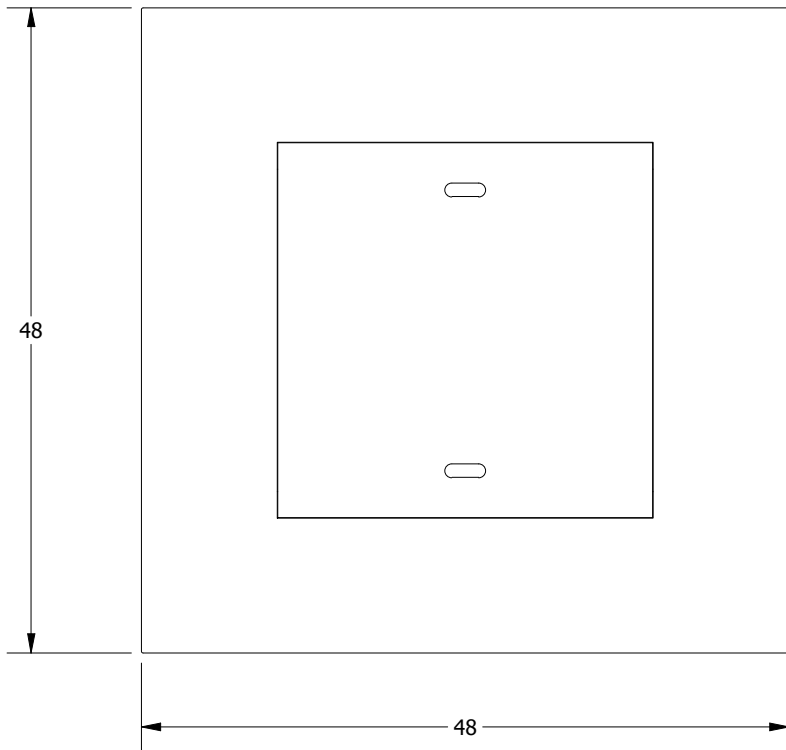



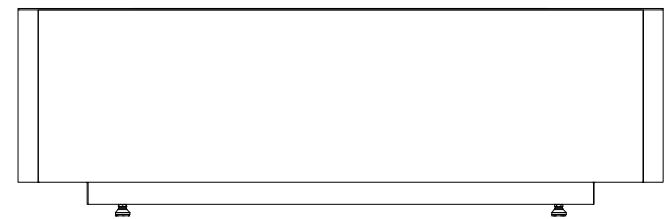
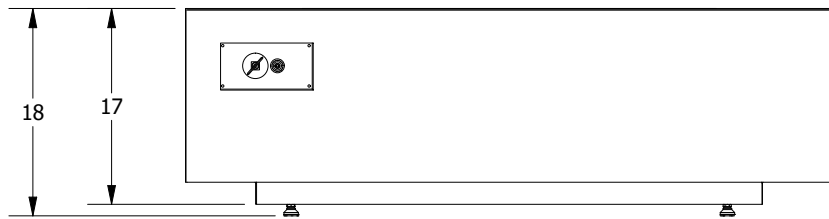
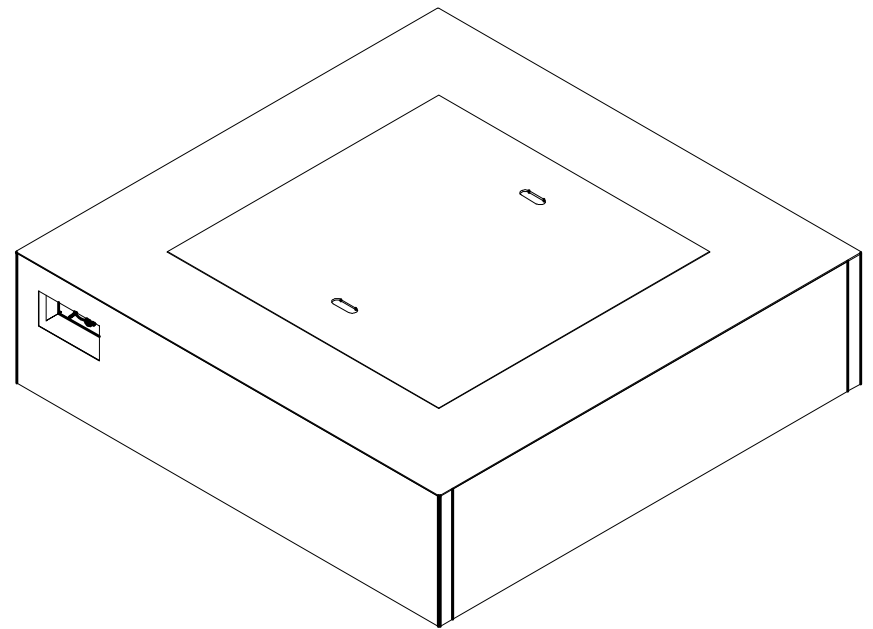
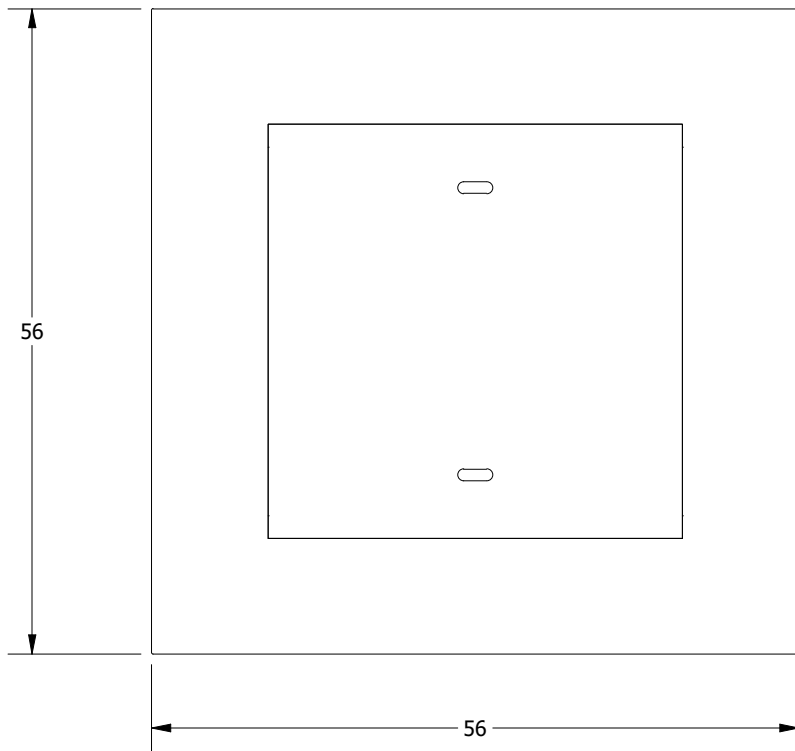
DESCRIPTION:			
PART NUMBER: <b>103834BLK</b>		<b>CONFIDENTIAL:</b> Any information, data and drawings embodied in this document are proprietary and strictly confidential, are to be held as confidential and have been supplied with the understanding that they will not be disclosed, in whole or in part or in any form, to third parties without the prior written consent of Warming Trends, LLC.	
NOTES: ALL DIMS IN INCHES UNLESS OTHERWISE NOTED		REV <b>A</b> SIZE <b>A</b>	 <a href="http://www.warming-trends.com">www.warming-trends.com</a>
DRAWN BY:		MATERIAL:	
DATE: 11/13/2023		SCALE: 0.08	SHEET: 1 OF 1
CHECKED:		APPROVED:	




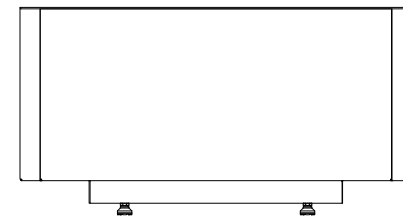
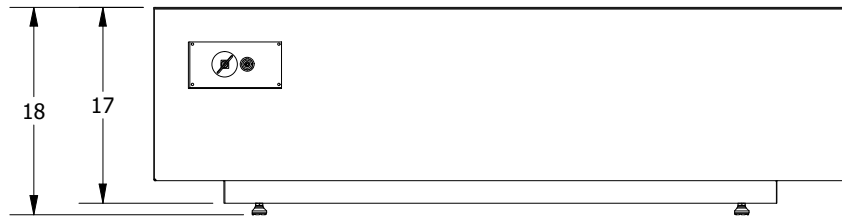
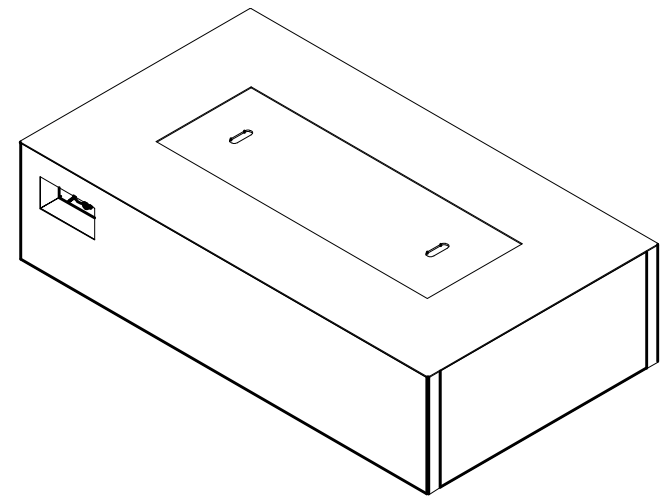
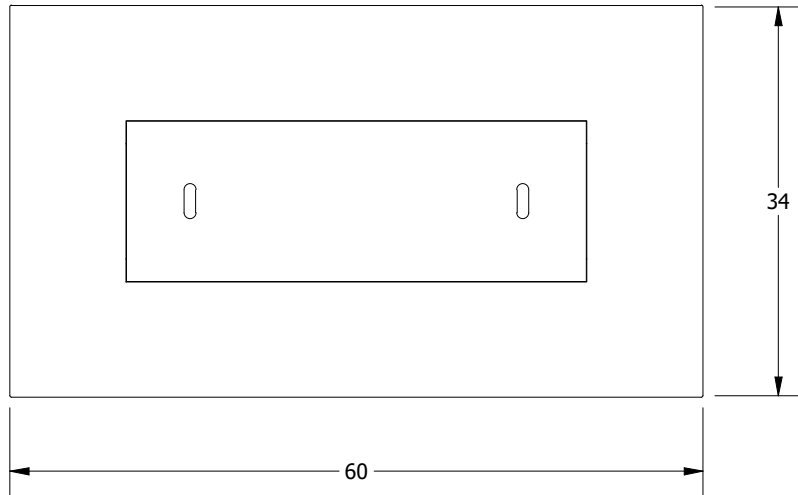
DESCRIPTION:			
PART NUMBER: <b>103846BLK</b>		<b>CONFIDENTIAL:</b> Any information, data and drawings embodied in this document are proprietary and strictly confidential, are to be held as confidential and have been supplied with the understanding that they will not be disclosed, in whole or in part or in any form, to third parties without the prior written consent of Warming Trends, LLC.	
NOTES: ALL DIMS IN INCHES UNLESS OTHERWISE NOTED		REV <b>A</b> SIZE <b>A</b>	 <a href="http://www.warming-trends.com">www.warming-trends.com</a>
DRAWN BY:		MATERIAL:	
DATE: 11/13/2023	SCALE: 0.08	SHEET: 1 OF 1	
CHECKED:		APPROVED:	



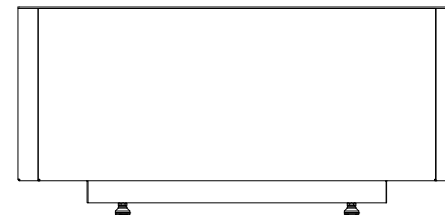
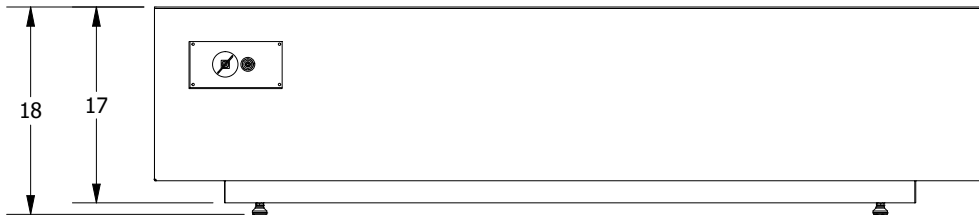
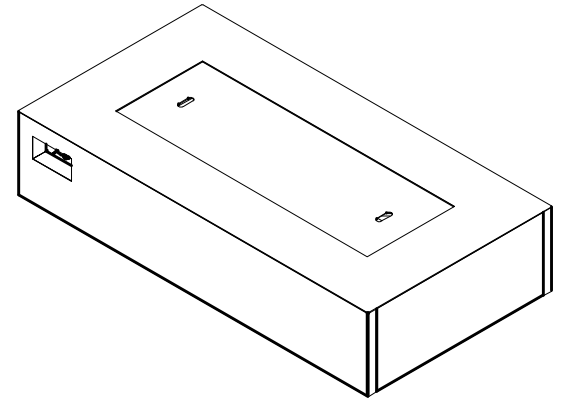
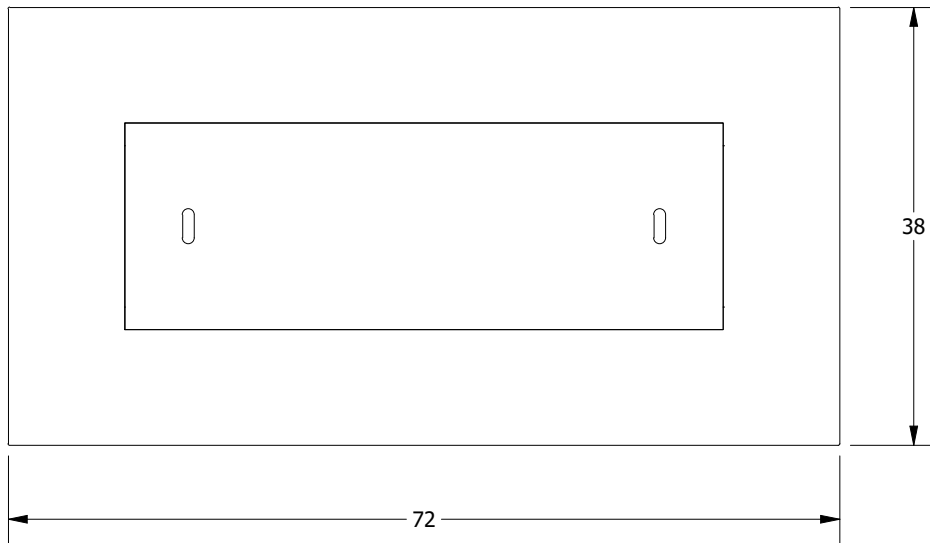
DESCRIPTION:			
PART NUMBER: <b>103822BLK</b>		<b>CONFIDENTIAL:</b> Any information, data and drawings embodied in this document are proprietary and strictly confidential, are to be held as confidential and have been supplied with the understanding that they will not be disclosed, in whole or in part or in any form, to third parties without the prior written consent of Warming Trends, LLC.	
NOTES: ALL DIMS IN INCHES UNLESS OTHERWISE NOTED		REV <b>A</b> SIZE <b>A</b>	 <a href="http://www.warming-trends.com">www.warming-trends.com</a>
DRAWN BY:		MATERIAL:	
DATE: 11/13/2023	SCALE: 0.07	SHEET: 1 OF 1	
CHECKED:		APPROVED:	




DESCRIPTION:			
PART NUMBER: <b>103840BLK</b>		<b>CONFIDENTIAL:</b> Any information, data and drawings embodied in this document are proprietary and strictly confidential, are to be held as confidential and have been supplied with the understanding that they will not be disclosed, in whole or in part or in any form, to third parties without the prior written consent of Warming Trends, LLC.	
NOTES: ALL DIMS IN INCHES UNLESS OTHERWISE NOTED		REV <b>A</b> SIZE <b>A</b>	 <a href="http://www.warming-trends.com">www.warming-trends.com</a>
DRAWN BY:		MATERIAL:	
DATE: 11/13/2023	SCALE: .06	SHEET: 1 OF 1	
CHECKED:		APPROVED:	



DESCRIPTION:					
PART NUMBER: <b>103822BLK</b>		<b>CONFIDENTIAL:</b> Any information, data and drawings embodied in this document are proprietary and strictly confidential, are to be held as confidential and have been supplied with the understanding that they will not be disclosed, in whole or in part or in any form, to third parties without the prior written consent of Warming Trends, LLC.			
NOTES: ALL DIMS IN INCHES UNLESS OTHERWISE NOTED		<table border="1"> <tr> <td>REV <b>A</b></td> <td rowspan="2"><b>WARMING TRENDS®</b> www.warming-trends.com</td> </tr> <tr> <td>SIZE <b>A</b></td> </tr> </table>	REV <b>A</b>	<b>WARMING TRENDS®</b> www.warming-trends.com	SIZE <b>A</b>
REV <b>A</b>	<b>WARMING TRENDS®</b> www.warming-trends.com				
SIZE <b>A</b>					
DRAWN BY:		MATERIAL:			
DATE: 11/13/2023	SCALE: 0.06	SHEET: 1 OF 1			
CHECKED:	APPROVED:				



DESCRIPTION:			
PART NUMBER: <b>103846BLK</b>		<b>CONFIDENTIAL:</b> Any information, data and drawings embodied in this document are proprietary and strictly confidential, are to be held as confidential and have been supplied with the understanding that they will not be disclosed, in whole or in part or in any form, to third parties without the prior written consent of Warming Trends, LLC.	
NOTES: ALL DIMS IN INCHES UNLESS OTHERWISE NOTED		REV <b>A</b> SIZE <b>A</b>	 <a href="http://www.warming-trends.com">www.warming-trends.com</a>
DRAWN BY:		MATERIAL:	
DATE: 11/13/2023	SCALE: 0.06	SHEET: 1 OF 1	
CHECKED:		APPROVED:	