

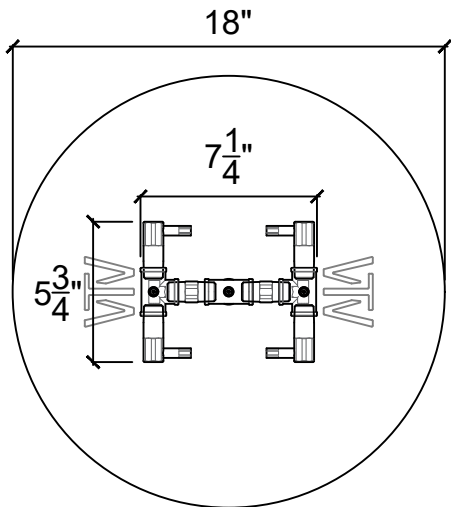
100124 - LP

100125 - NG

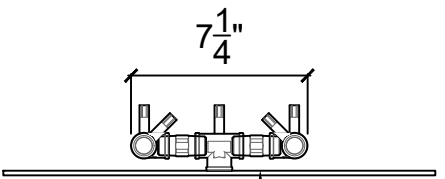
CFB84

Original CROSSFIRE®

Brass Burner



PLAN VIEW



ALUMINUM PLATE

ELEVATION VIEW

PRODUCT DESCRIPTION:

The CFB84 is established with a specific air-to-gas mixture ratio which produces a taller, brighter flame while using a fraction of the fuel of conventional fire rings.

CFB84:

MAX OUTPUT: 84,000 BTU

DIMENSIONS: 7.25" L x 5.75" H

PLATE / PAN DIMENSION: 18" Circular

Made from all brass, the CFB84 is non-corrosive and comes with a FULL LIFETIME WARRANTY.

NOTES:

1. For outdoor/ exterior use only.
2. Modification of product will void any certification and warranty. Please see Warming Trends Warranty.
3. Follow all installation instructions and local codes.
4. Recommended to be installed by a certified plumbing professional.

Contact our Flame Specialists today at 303-346-2224 or visit www.Warming-Trends.com

WARMING TRENDS®

CROSSFIRE
BRASS BURNERS

www.warming-trends.com

CONFIDENTIAL:

Any information data and drawings embodied in this document are proprietary and strictly confidential, are to be held as confidential and supplied with the understanding that they will not be disclosed, in whole or in part or in any form, to third parties without the prior written consent of Warming Trends, LLC. © 2024 Warming Trends, LLC. All rights reserved.

Date: JUNE 2024	Customer:	Approved by:
Scale: 1/2" = 1'-0"	Estimate #:	Approval Date:
Tolerance: 0.75"	Revision Date:	Designer: