

VTV
FALL 2023

WARMING & TRENDS[®]

SUPERIOR FIRE FEATURE SYSTEMS



DEALER CATALOG

NOT FOR DISTRIBUTION. AUTHORIZED USE ONLY.

PATENTED

www.warming-trends.com/patents

WARMING TRENDS[®]

SUPERIOR DESIGN. SUPERIOR PERFORMANCE.
SUPERIOR FIRE FEATURE SYSTEMS.



Competitor Burner with 180K BTUs

DON'T SETTLE FOR **LESS.**



CFB180 CROSSFIRE® Brass Burner with 180K BTUs

The patented CROSSFIRE® Brass Burner is the most fuel-efficient burner in the industry, producing taller, brighter, and more natural flames all while consuming less fuel.

SUPERIOR PERFORMANCE | MADE IN THE U.S.A. | OUTSTANDING CUSTOMER SERVICE

TABLE OF CONTENTS

REFERENCE GUIDE	6
BURNERS	
Certified Burners	7
Options for Circular and Square Openings	8
Options for Rectangular Openings and Outdoor Fireplaces	20
READY-TO-FINISH KITS	36
GAS INSERT KITS FOR PAVER FIRE PITS	42
PLATES, PANS, AND COVERS	49
IGNITIONS AND ELECTRONIC ACCESSORIES	57
PARTS, LOGS, AND MEDIA	65
PROMOTIONAL ITEMS	71
WARRANTY	73



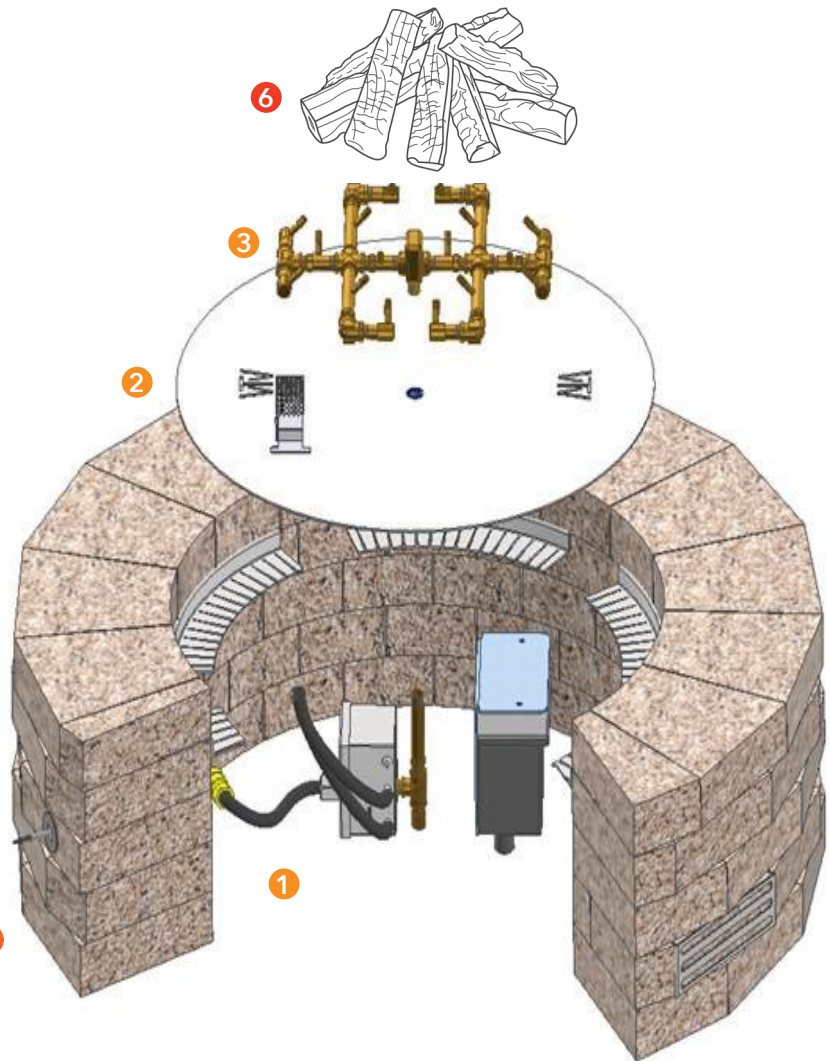
The Dealer Catalog is intended only for the possession and use of the distribution partners of Warming Trends and contains confidential information not meant to be disclosed to others, including competitors. Sharing, duplicating, or distributing the Dealer Catalog is prohibited to anyone other than Dealers, Distributors, or others authorized in writing by Warming Trends. Our distribution partners may share prices or other information in the dealer catalog with customers as needed to enable individual sales.

Warming Trends maintains a Minimum Advertised Price (MAP) policy and it is strictly enforced with each of our selling partners.

For more information and resource materials, please visit our website. www.Warming-Trends.com

SIX STEPS TO FIRE

- 1 Determine the BTU (gas) supply at your fire feature location.
- 2 Measure the interior dimensions of your fire feature and choose the corresponding plate/pan size.
- 3 Select burner based on plate/pan size and fuel type (natural gas or liquid propane.)
- 4 Choose the ignition system: match lit or a fully automatic ignition system.
- 5 Add optional electronic accessories: remote control options, dial timers, and emergency stop buttons.
- 6 Complete your fire feature with media: lava rock or fire glass, steel or ceramic logs.



PLEASE REMEMBER

- Plate/pan should be sized slightly smaller than the measurement of the opening to allow easier installation and removal for service.
- Manufacturer recommends a minimum 3" of clearance from all interior sides of enclosure to the nearest edge of burner to avoid damage to enclosure.
- For outdoor use only. Installation and service must be performed by a qualified installer, service agency, or gas supplier. Installation and use must follow all local codes.
- Follow all installation instructions and local codes. A copy of the Owner's Guide and Instruction Manual can be found on our website: www.Warming-Trends.com

PATENTED

www.warming-trends.com/patents

Scan here for a digital version of our Instruction Manual



QUICK REFERENCE GUIDE

If you have a standard-sized fire feature, the chart below may help determine which Warming Trends burner will be the best fit for you.

BURNER MATCH FOR COMMON INTERIOR DIMENSIONS

for Circular or Square Fire Features

INTERIOR DIMENSION	CIRCULAR	SQUARE
18"	CFB60	CFB60
	CFB60XL	CFB60XL
	CFB84	CFB84
	CFBCTL120	CFBST120
	CFBO140	CFBO140
24"	CFB120	CFB120
	CFBCTXL120	CFBO180
	CFBO180	
30"	CFB180	CFB180
	CFB240	CFB240
	CFBCT240	CFBST240
	CFBO280	CFBO280
36"	CFB240	CFB240
	CFB290	CFB290
	CFBO280	CFBO280
	CFBO320	CFBO320
		CFBST400
42"	CFB350	CFB350
	CFBCT440	CFBST500
	CFBO360	CFBO360
48"	CFB350	CFB350
	CFBO360	CFBO360

TECH TIP

Gas Insert Kits for Paver Fire Features are becoming more popular and Warming Trends offers kits - including burner, plate, flex line, and key valve kits - specifically designed to work with a variety of paver company block features. See page 42 for our Gas Insert Kit selection.

Plate should be sized slightly smaller than the measurement of the opening. This allows easier installation and removal for service.

Scan here for a digital version of our Instruction Manual



CERTIFIED BURNER SYSTEM UNITS



Compliance with the following codes:

1. 2021, 2018, 2015, 2012, and 2009 International Fire Code® (IFC)
2. 2021, 2018, 2015, 2012, and 2009 International Fuel Gas Code® (IFGC)
3. 2024, 2021, 2018, 2015, 2012, and 2009 Uniform Mechanical Code® (UMC)*
4. 2020, 2015, and 2010 Natural Gas and Propane Installation Code**

*Uniform Plumbing Code is a copyrighted publication of the International Association of Plumbing and Mechanical Officials

**Copyrighted publication of Canadian Standard Association

Compliance with the following standards:

1. ANSI Z21.97/CSA 2.41-2017 Outdoor Decorative Gas Appliances
Product: Outdoor Decorative Gas Fire Feature and Fireplaces



ICC-ES Report PMG-1213

MATCH LIT

Model # CFB60 NG/LP as match lit
 Model # CFB60XL NG/LP as match lit
 Model # CFB602XL NG/LP as match lit
 Model # CFB84 NG/LP as match lit
 Model # CFB100 NG/LP as match lit
 Model # CFB120 NG/LP as match lit
 Model # CFB180 NG/LP as match lit
 Model # CFB240 NG/LP as match lit
 Model # CFB290 NG/LP as match lit
 Model # CFB90 NG/LP as match lit
 Model # CFBL110 NG/LP as match lit
 Model # CFBL130 NG/LP as match lit
 Model # CFBL150 NG/LP as match lit
 Model # CFBL170 NG/LP as match lit
 Model # CFBL190 NG/LP as match lit
 Model # CFBL210 NG/LP as match lit
 Model # CFBL250 NG/LP as match lit
 Model # CFBL270 NG/LP as match lit
 Model # CFBL320 NG/LP as match lit
 Model # CFBH120 NG/LP as match lit
 Model # CFBH160 NG/LP as match lit
 Model # CFBH200 NG/LP as match lit
 Model # CFBH240 NG/LP as match lit
 Model # CFBH260 NG/LP as match lit
 Model # CFBH300 NG/LP as match lit
 Model # CFBH340 NG/LP as match lit
 Model # CFBH420 NG/LP as match lit
 Model # CFBT110 NG/LP as match lit
 Model # CFBT170 NG/LP as match lit
 Model # CFBT230 NG/LP as match lit
 Model # CFBT290 NG/LP as match lit
 Model # CFBT350 NG/LP as match lit
 Model # CFBT410 NG/LP as match lit
 Model # CFBT470 NG/LP as match lit
 Model # CFBO140 NG/LP as match lit
 Model # CFBO180 NG/LP as match lit
 Model # CFBO280 NG/LP as match lit
 Model # CFBO320 NG/LP as match lit
 Model # CFBO360 NG/LP as match lit

SPARK IGNITER OPERATED UNITS

Model # WTV40 NG/LP with PBK
 Model # WTV60 NG with PBK
 Model # CFB60 NG/LP with PBK
 Model # CFB60XL NG/LP with PBK
 Model # CFB602XL NG/LP with PBK
 Model # CFB84 NG/LP with PBK
 Model # CFB100 NG/LP with PBK
 Model # CFB120 NG/LP with PBK
 Model # CFB180 NG/LP with PBK
 Model # CFB240 NG/LP with PBK
 Model # CFB290 NG/LP with PBK
 Model # CFBH120 NG/LP with PBK
 Model # CFBH160 NG/LP with PBK
 Model # CFBH200 NG/LP with PBK
 Model # CFBH240 NG/LP with PBK
 Model # CFBH260 NG/LP with PBK
 Model # CFBH300 NG/LP with PBK
 Model # CFBH340 NG/LP with PBK
 Model # CFBH420 NG/LP with PBK
 Model # CFBL90 NG/LP with PBK
 Model # CFBL110 NG/LP with PBK
 Model # CFBL130 NG/LP with PBK
 Model # CFBL150 NG/LP with PBK
 Model # CFBL170 NG/LP with PBK
 Model # CFBL190 NG/LP with PBK
 Model # CFBL210 NG/LP with PBK
 Model # CFBL250 NG/LP with PBK
 Model # CFBL270 NG/LP with PBK
 Model # CFBL320 NG/LP with PBK

Model # CFBO140 NG/LP with PBK
 Model # CFBO180 NG/LP with PBK
 Model # CFBO280 NG/LP with PBK
 Model # CFBO320 NG/LP with PBK
 Model # CFBO360 NG/LP with PBK
 Model # CFBT110 NG/LP with PBK
 Model # CFBT170 NG/LP with PBK
 Model # CFBT230 NG/LP with PBK
 Model # CFBT290 NG/LP with PBK
 Model # CFBT350 NG/LP with PBK
 Model # CFBT410 NG/LP with PBK
 Model # CFBT470 NG/LP with PBK

3V BATTERY OPERATED UNITS

Model # CFB60 NG/LP with 3VIK
 Model # CFB602XL NG/LP with 3VIK
 Model # CFB120 NG/LP with 3VIK
 Model # CFB240 NG/LP with 3VIK
 Model # CFB90 NG/LP with 3VIK
 Model # CFBL110 NG/LP with 3VIK
 Model # CFBL130 NG/LP with 3VIK
 Model # CFBL150 NG/LP with 3VIK
 Model # CFBL190 NG/LP with 3VIK
 Model # CFBL210 NG/LP with 3VIK
 Model # CFBL250 NG/LP with 3VIK
 Model # CFBH120 NG/LP with 3VIK
 Model # CFBH160 NG/LP with 3VIK
 Model # CFBH200 NG/LP with 3VIK
 Model # CFBH240 NG/LP with 3VIK
 Model # CFBH260 NG/LP with 3VIK
 Model # CFBH300 NG/LP with 3VIK
 Model # CFBH340 NG/LP with 3VIK
 Model # CFBH420 NG/LP with 3VIK
 Model # CFBT110 NG/LP with 3VIK
 Model # CFBT170 NG/LP with 3VIK
 Model # CFBT230 NG/LP with 3VIK
 Model # CFBT290 NG/LP with 3VIK
 Model # CFBT350 NG/LP with 3VIK
 Model # CFBT410 NG/LP with 3VIK
 Model # CFBT470 NG/LP with 3VIK
 Model # CFBO180 NG/LP with 3VIK
 Model # CFBO280 NG/LP with 3VIK
 Model # CFBO360 NG/LP with 3VIK

24 VOLT STANDARD ELECTRONIC IGNITION SYSTEM - Standard Capacity

Model # CFB60 NG/LP with 24VIKSC
 Model # CFB602XL NG/LP with 24VIKSC
 Model # CFB120 NG/LP with 24VIKSC
 Model # CFB180 NG/LP with 24VIKSC
 Model # CFB240 NG/LP with 24VIKSC
 Model # CFB90 NG/LP with 24VIKSC
 Model # CFBL110 NG/LP with 24VIKSC
 Model # CFBL130 NG/LP with 24VIKSC
 Model # CFBL150 NG/LP with 24VIKSC
 Model # CFBL190 NG/LP with 24VIKSC
 Model # CFBH120 NG/LP with 24VIKSC
 Model # CFBH160 NG/LP with 24VIKSC
 Model # CFBH200 NG/LP with 24VIKSC
 Model # CFBH240 NG/LP with 24VIKSC
 Model # CFBH260 NG/LP with 24VIKSC
 Model # CFBH300 NG/LP with 24VIKSC
 Model # CFBH340 NG/LP with 24VIKSC
 Model # CFBH420 NG/LP with 24VIKSC
 Model # CFBL90 NG/LP with 24VIKSC
 Model # CFBL110 NG/LP with 24VIKSC
 Model # CFBL130 NG/LP with 24VIKSC
 Model # CFBL150 NG/LP with 24VIKSC
 Model # CFBL170 NG/LP with 24VIKSC
 Model # CFBL190 NG/LP with 24VIKSC
 Model # CFBL210 NG/LP with 24VIKSC
 Model # CFBL250 NG/LP with 24VIKSC
 Model # CFBL270 NG/LP with 24VIKSC
 Model # CFBL320 NG/LP with 24VIKSC

24 VOLT STANDARD ELECTRONIC IGNITION SYSTEMS - High Capacity

Model # CFB240 NG/LP with 24VIKHC
 Model # CFB290 NG/LP with 24VIKHC
 Model # CFB300 NG/LP with 24VIKHC
 Model # CFBL210 NG/LP with 24VIKHC
 Model # CFBL250 NG/LP with 24VIKHC

Model # CFBL270 NG/LP with 24VIKHC
 Model # CFBL320 NG/LP with 24VIKHC
 Model # CFBH240 NG/LP with 24VIKHC
 Model # CFBH260 NG/LP with 24VIKHC
 Model # CFBH300 NG/LP with 24VIKHC
 Model # CFBH340 NG/LP with 24VIKHC
 Model # CFBH420 NG/LP with 24VIKHC
 Model # CFBT230 NG/LP with 24VIKHC
 Model # CFBT290 NG/LP with 24VIKHC
 Model # CFBT350 NG/LP with 24VIKHC
 Model # CFBT410 NG/LP with 24VIKHC
 Model # CFBT470 NG/LP with 24VIKHC
 Model # CFBO180 NG/LP with 24VIKHC
 Model # CFBO280 NG/LP with 24VIKHC
 Model # CFBO360 NG/LP with 24VIKHC

24 VOLT PREMIUM ELECTRONIC IGNITION SYSTEM - Standard Capacity

Model # CFB60 NG/LP with P24VIKSC
 Model # CFB602XL NG/LP with P24VIKSC
 Model # CFB120 NG/LP with P24VIKSC
 Model # CFB180 NG/LP with P24VIKSC
 Model # CFB240 NG/LP with P24VIKSC
 Model # CFB290 NG/LP with P24VIKSC
 Model # CFB90 NG/LP with P24VIKSC
 Model # CFBL110 NG/LP with P24VIKSC
 Model # CFBL130 NG/LP with P24VIKSC
 Model # CFBL150 NG/LP with P24VIKSC
 Model # CFBL190 NG/LP with P24VIKSC
 Model # CFBL210 NG/LP with P24VIKSC
 Model # CFBL250 NG/LP with P24VIKSC
 Model # CFBL270 NG/LP with P24VIKSC
 Model # CFBH120 NG/LP with P24VIKSC
 Model # CFBH160 NG/LP with P24VIKSC
 Model # CFBH200 NG/LP with P24VIKSC
 Model # CFBH240 NG/LP with P24VIKSC
 Model # CFBH260 NG/LP with P24VIKSC
 Model # CFBH300 NG/LP with P24VIKSC
 Model # CFBH340 NG/LP with P24VIKSC
 Model # CFBH420 NG/LP with P24VIKSC
 Model # CFBL90 NG/LP with P24VIKSC
 Model # CFBL110 NG/LP with P24VIKSC
 Model # CFBL130 NG/LP with P24VIKSC
 Model # CFBL150 NG/LP with P24VIKSC
 Model # CFBL170 NG/LP with P24VIKSC
 Model # CFBL190 NG/LP with P24VIKSC
 Model # CFBL210 NG/LP with P24VIKSC
 Model # CFBL250 NG/LP with P24VIKSC
 Model # CFBL270 NG/LP with P24VIKSC
 Model # CFBL320 NG/LP with P24VIKSC

24 VOLT PREMIUM ELECTRONIC IGNITION SYSTEM - High Capacity

Model # CFB300 NG/LP with P24VIKHC
 Model # CFBL320 NG/LP with P24VIKHC
 Model # CFBH300 NG/LP with P24VIKHC
 Model # CFBH340 NG/LP with P24VIKHC
 Model # CFBH420 NG/LP with P24VIKHC
 Model # CFBT350 NG/LP with P24VIKHC
 Model # CFBT410 NG/LP with P24VIKHC
 Model # CFBT470 NG/LP with P24VIKHC
 Model # CFBO360 NG/LP with P24VIKHC

MERCURY IGNITION SYSTEM

Model # CFB60 NG/LP with MERC
 Model # CFB60XL NG/LP with MERC
 Model # CFB84 NG/LP with MERC
 Model # CFB100 NG/LP with MERC
 Model # CFB120 NG/LP with MERC
 Model # CFB180 NG/LP with MERC
 Model # CFB240 NG/LP with MERC
 Model # CFB290 NG/LP with MERC
 Model # CFBH120 NG/LP with MERC
 Model # CFBH160 NG/LP with MERC
 Model # CFBH200 NG/LP with MERC
 Model # CFBH240 NG/LP with MERC
 Model # CFB90 NG/LP with MERC
 Model # CFBL110 NG/LP with MERC

Model # CFBL130 NG/LP with MERC
 Model # CFBL150 NG/LP with MERC
 Model # CFBL170 NG/LP with MERC
 Model # CFBL190 NG/LP with MERC
 Model # CFBL210 NG/LP with MERC
 Model # CFBL250 NG/LP with MERC
 Model # CFBL270 NG/LP with MERC
 Model # CFBO140 NG/LP with MERC
 Model # CFBO180 NG/LP with MERC
 Model # CFBO280 NG/LP with MERC
 Model # CFBO320 NG/LP with MERC
 Model # CFBT110 NG/LP with MERC
 Model # CFBT170 NG/LP with MERC
 Model # CFBT230 NG/LP with MERC
 Model # CFBT290 NG/LP with MERC
 Model # CFBT350 NG/LP with MERC

PLATINUM AUTOMATIC IGNITION SYSTEM

Model # CFB60 NG/LP with PLAT
 Model # CFB60XL NG/LP with PLAT
 Model # CFB84 NG/LP with PLAT
 Model # CFB120 NG/LP with PLAT
 Model # CFB180 NG/LP with PLAT
 Model # CFB240 NG/LP with PLAT
 Model # CFB290 NG/LP with PLAT
 Model # CFB300 NG/LP with PLAT
 Model # CFB90 NG/LP with PLAT
 Model # CFBL110 NG/LP with PLAT
 Model # CFBL130 NG/LP with PLAT
 Model # CFBL150 NG/LP with PLAT
 Model # CFBL170 NG/LP with PLAT
 Model # CFBL190 NG/LP with PLAT
 Model # CFBL210 NG/LP with PLAT
 Model # CFBL250 NG/LP with PLAT
 Model # CFBL270 NG/LP with PLAT
 Model # CFBL320 NG/LP with PLAT
 Model # CFBH120 NG/LP with PLAT
 Model # CFBH160 NG/LP with PLAT
 Model # CFBH200 NG/LP with PLAT
 Model # CFBH240 NG/LP with PLAT
 Model # CFBH260 NG/LP with PLAT
 Model # CFBH300 NG/LP with PLAT
 Model # CFBH340 NG/LP with PLAT
 Model # CFBH420 NG/LP with PLAT
 Model # CFBO140 NG/LP with PLAT
 Model # CFBO180 NG/LP with PLAT
 Model # CFBO280 NG/LP with PLAT
 Model # CFBO320 NG/LP with PLAT
 Model # CFBT110 NG/LP with PLAT
 Model # CFBT170 NG/LP with PLAT
 Model # CFBT230 NG/LP with PLAT
 Model # CFBT290 NG/LP with PLAT
 Model # CFBT350 NG/LP with PLAT
 Model # CFBT410 NG/LP with PLAT
 Model # CFBT470 NG/LP with PLAT

Scan to view the Most up-to-date Certified Burners List:



High Capacity (HC) ignitions may be substituted for Standard Capacity (SC) ignitions.

OPTIONS FOR CIRCULAR AND SQUARE OPENINGS

Designed for standard-sized circular or square fire features, these CROSSFIRE® Brass Burners range from 60K to 450K BTUs.

When deciding which burner is best for your project, remember to consult the guide on page 6 for information about size compatibility.

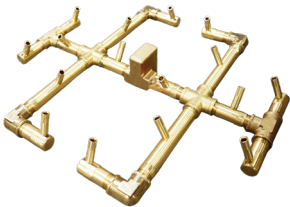
Need a different size, custom shape, or have BTU questions?

Whatever your question, our team is happy to help. Call our Flame Specialists at (303) 346-2224.

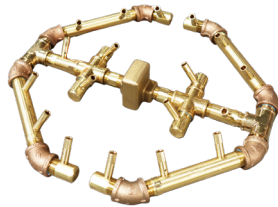
COMPLETE THE FEATURE WITH MEDIA, PAGE 45

SEE PAGE 57 FOR AVAILABLE COMPATIBLE IGNITION SYSTEMS

Original



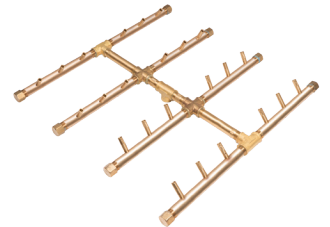
Octagonal



Circular Tree-Style

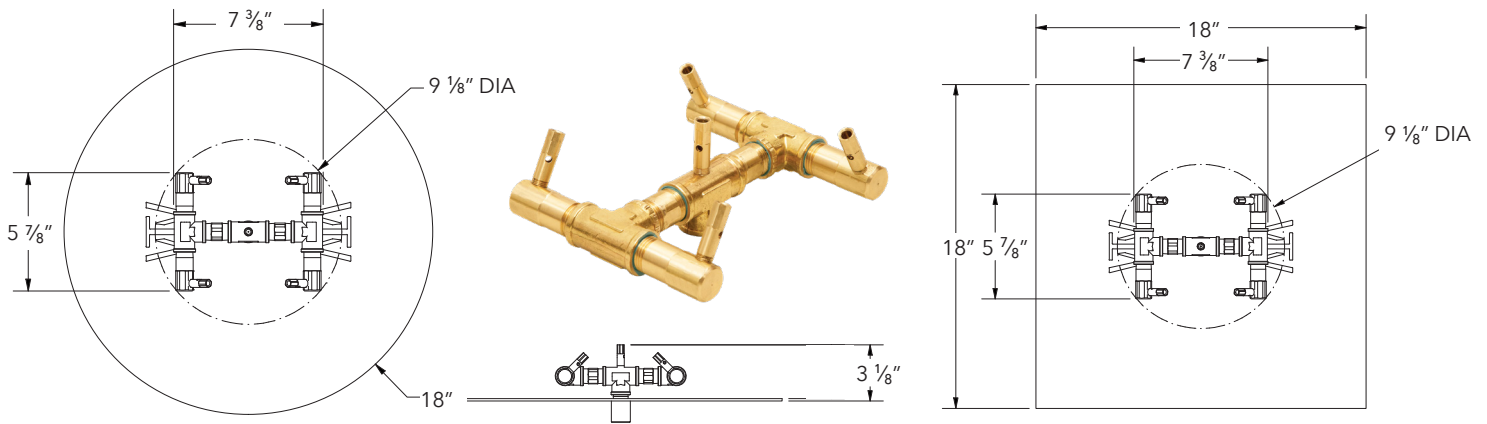


Square Tree-Style



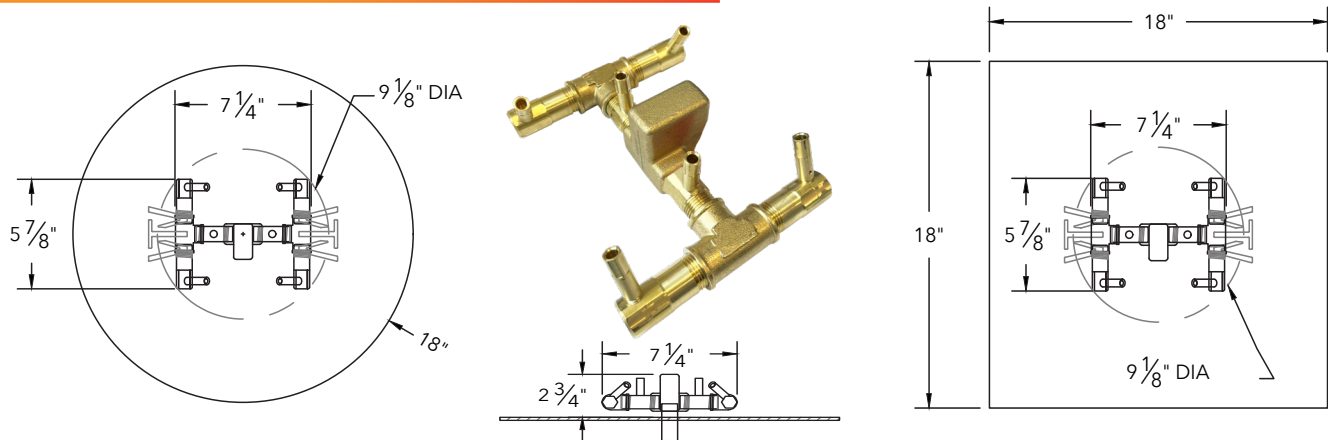
SKU BREAKDOWN	CFB	O	360	NG	ALPL	42C	FK2
	CROSSFIRE® Brass Burner	BTU	Gas Type	Plate or Pan	Size of Plate	Flex Line Kit	
			Octagonal (Burner Type)				

ORIGINAL CFB60 - Fits 18" plate or larger



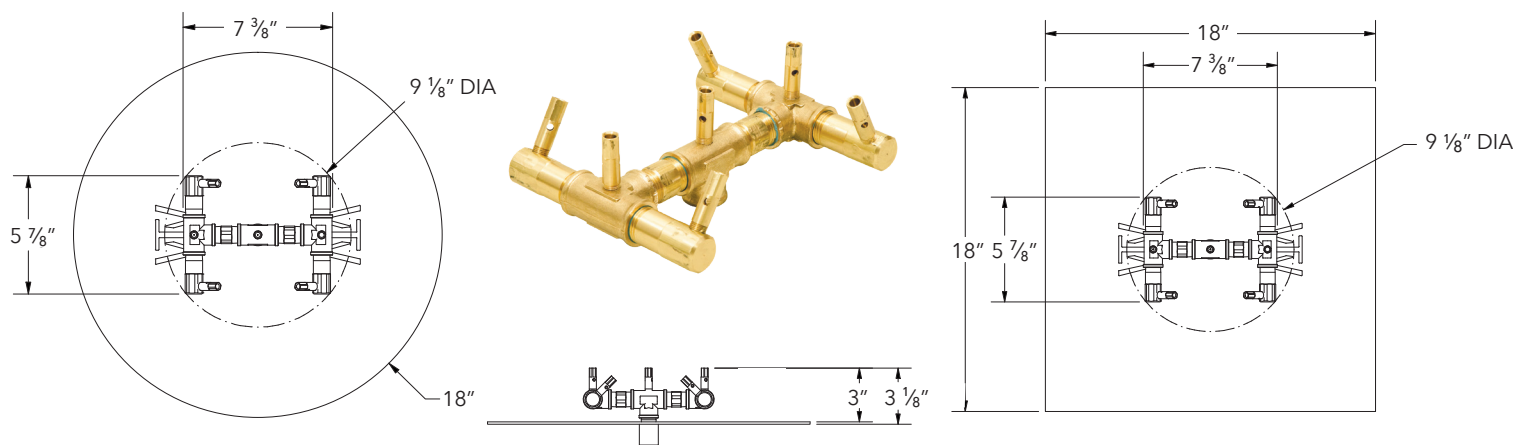
SKU (NG OR LP)	DESCRIPTION	SHIP WEIGHT	SHIP METHOD
CFB60NG CFB60LP	60K BTU Original Brass Burner	4 lbs	SHIPS PARCEL
Recommended parts - Plate: ALPL18C (circle) or ALPL18S (square) • FK1 • Optional 3x Support Collars			
CIRCLE	CFB60NGALPL18C CFB60LPALPL18C	with 18" Circular Plate	10 lbs SHIPS PARCEL
CIRCLE	CFB60NGALPL18CFK1 CFB60LPALPL18CFK1	with 18" Circular Plate + FK1	13 lbs SHIPS PARCEL
SQUARE	CFB60NGALPL18S CFB60LPALPL18S	with 18" Square Plate	11 lbs SHIPS PARCEL
SQUARE	CFB60NGALPL18SFK1 CFB60LPALPL18SFK1	with 18" Square Plate + FK1	14 lbs SHIPS PARCEL

ORIGINAL CFB60XL - Fits 18" plate or larger



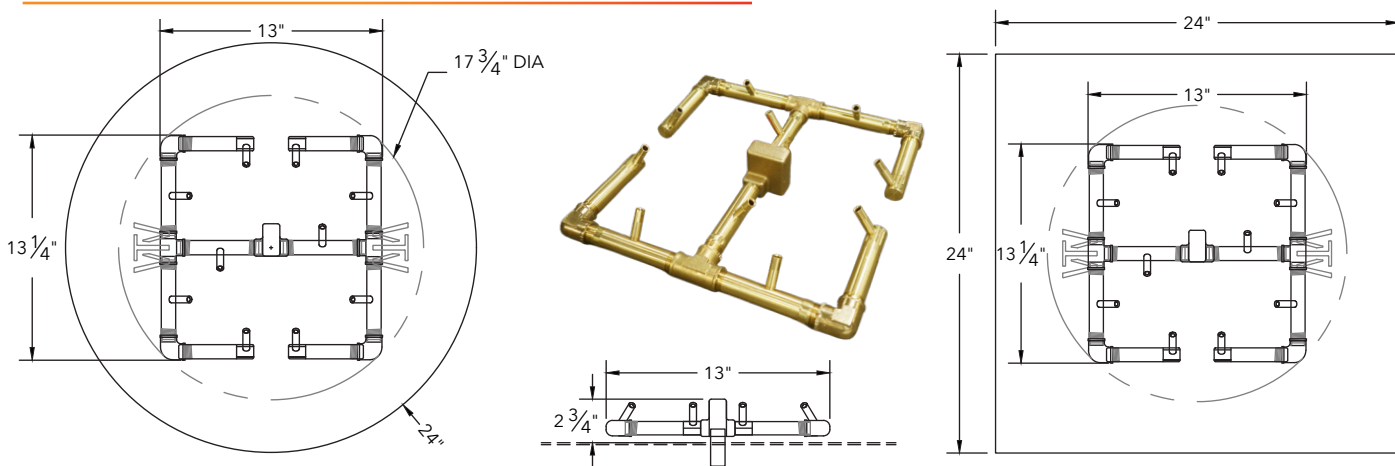
SKU (NG OR LP)	DESCRIPTION	SHIP WEIGHT	SHIP METHOD
CFB60XLNG CFB60XLLP	60K BTU Original Brass Burner + WATERSTOP	4 lbs	SHIPS PARCEL
Recommended parts - Plate: ALPL18C (circle) or ALPL18S (square) • FK1 • Optional 3x Support Collars			
CIRCLE	CFB60XLNGALPL18C CFB60XLLPALPL18C	with 18" Circular Plate	10 lbs SHIPS PARCEL
CIRCLE	CFB60XLNGALPL18CFK1 CFB60XLLPALPL18CFK1	with 18" Circular Plate + FK1	13 lbs SHIPS PARCEL
SQUARE	CFB60XLNGALPL18S CFB60XLLPALPL18S	with 18" Square Plate	11 lbs SHIPS PARCEL
SQUARE	CFB60XLNGALPL18SFK1 CFB60XLLPALPL18SFK1	with 18" Square Plate + FK1	14 lbs SHIPS PARCEL

ORIGINAL CFB84 - Fits 18" plate or larger



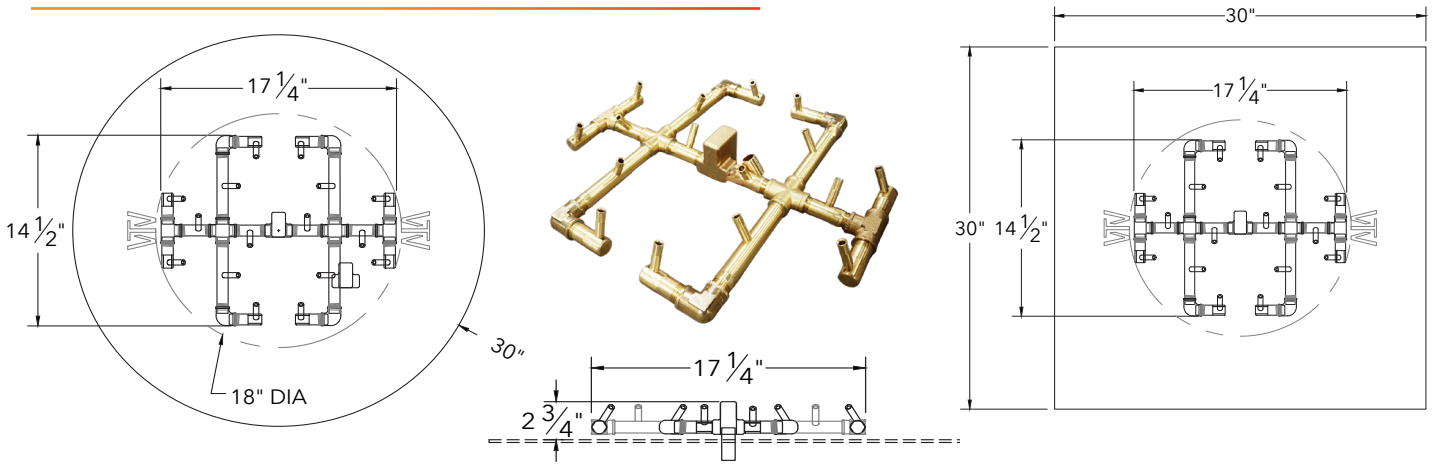
SKU (NG OR LP)	DESCRIPTION	SHIP WEIGHT	SHIP METHOD
CFB84NG CFB84LP	84K BTU Original Brass Burner	4 lbs	SHIPS PARCEL
Recommended parts - Plate: ALPL18C (circle) or ALPL18S (square) • FK1 • Optional 3x Support Collars			
CIRCLE	CFB84NGALPL18C CFB84LPALPL18C	with 18" Circular Plate	10 lbs SHIPS PARCEL
CIRCLE	CFB84NGALPL18CFK1 CFB84LPALPL18CFK1	with 18" Circular Plate + FK1	13 lbs SHIPS PARCEL
SQUARE	CFB84NGALPL18S CFB84LPALPL18S	with 18" Square Plate	11 lbs SHIPS PARCEL
SQUARE	CFB84NGALPL18SFK1 CFB84LPALPL18SFK1	with 18" Square Plate + FK1	14 lbs SHIPS PARCEL

ORIGINAL CFB120 - Fits 24" plate or larger



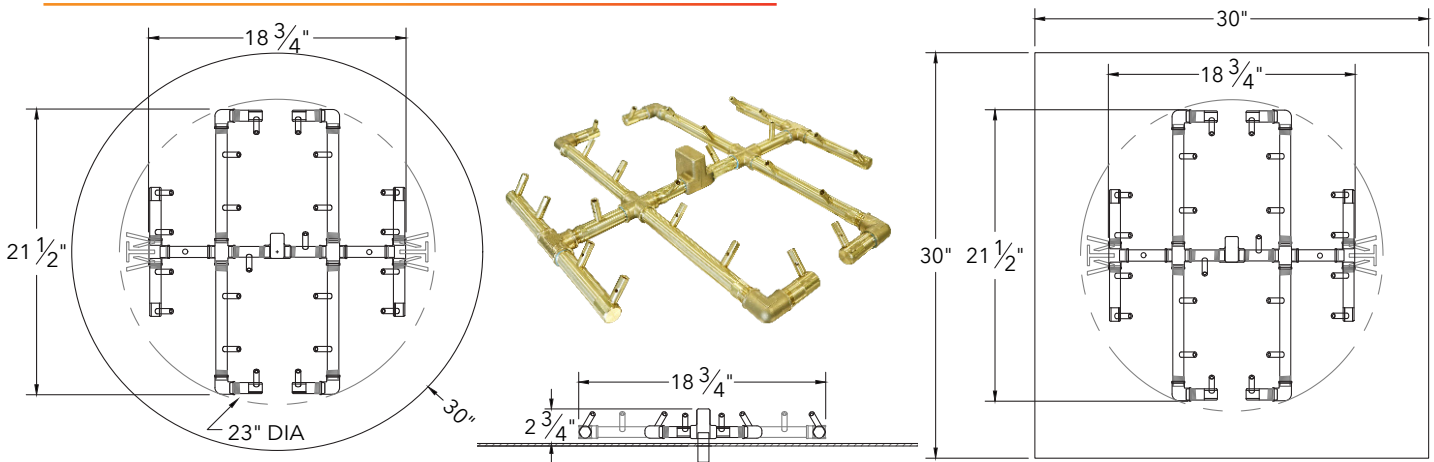
SKU (NG OR LP)	DESCRIPTION	SHIP WEIGHT	SHIP METHOD
CFB120NG CFB120LP	120K BTU Original Brass Burner + WATERSTOP	8 lbs	SHIPS PARCEL
Recommended parts - Plate: ALPL24C (circle) or ALPL24S (square) • FK1 • Optional 4x Support Collars			
CIRCLE	CFB120NGALPL24C CFB120LPALPL24C	with 24" Circular Plate	16 lbs SHIPS PARCEL
CIRCLE	CFB120NGALPL24CFK1 CFB120LPALPL24CFK1	with 24" Circular Plate + FK1	19 lbs SHIPS PARCEL
SQUARE	CFB120NGALPL24S CFB120LPALPL24S	with 24" Square Plate	18 lbs SHIPS PARCEL
SQUARE	CFB120NGALPL24SFK1 CFB120LPALPL24SFK1	with 24" Square Plate + FK1	21 lbs SHIPS PARCEL

ORIGINAL CFB180 - Fits 30" plate or larger



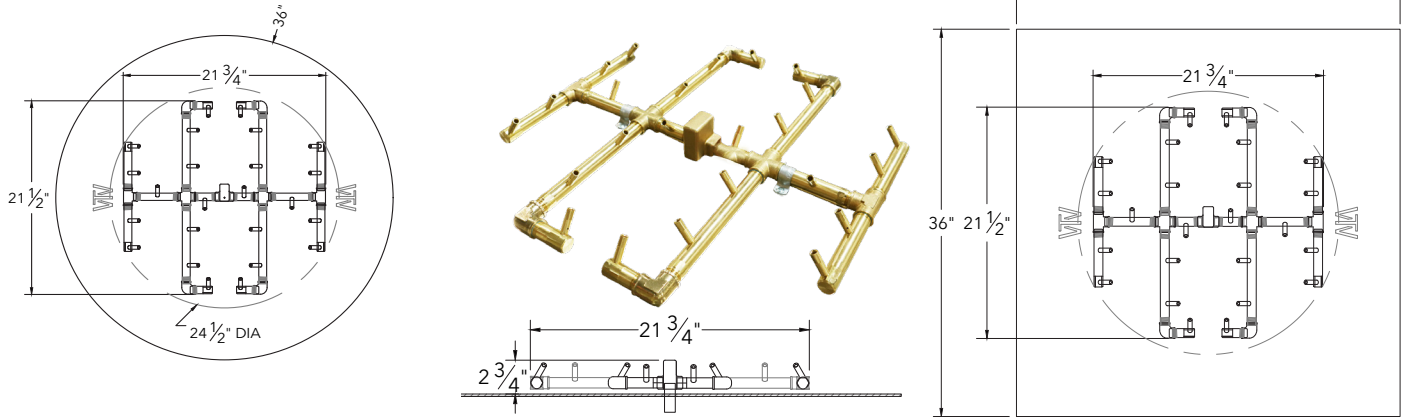
SKU (NG OR LP)	DESCRIPTION	SHIP WEIGHT	SHIP METHOD
CFB180NG CFB180LP	180K BTU Original Brass Burner + WATERSTOP	9 lbs	SHIPS PARCEL
Recommended parts - Plate: ALPL30C (circle) or ALPL30S (square) • FK1 • Optional 5x Support Collars			
CIRCLE	CFB180NGALPL30C CFB180LPALPL30C	with 30" Circular Plate	20 lbs SHIPS PARCEL
CIRCLE	CFB180NGALPL30CFK1 CFB180LPALPL30CFK1	with 30" Circular Plate + FK1	23 lbs SHIPS PARCEL
SQUARE	CFB180NGALPL30S CFB180LPALPL30S	with 30" Square Plate	23 lbs SHIPS PARCEL
SQUARE	CFB180NGALPL30SFK1 CFB180LPALPL30SFK1	with 30" Square Plate + FK1	26 lbs SHIPS PARCEL

ORIGINAL CFB240 - Fits 30" plate or larger



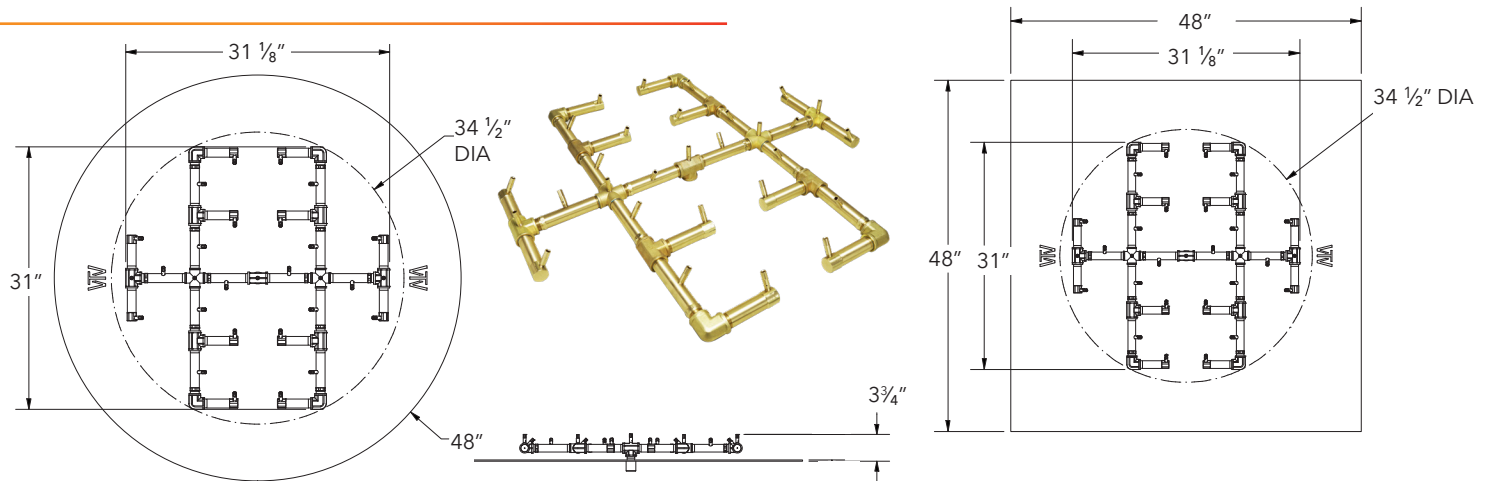
SKU (NG OR LP)	DESCRIPTION	SHIP WEIGHT	SHIP METHOD
CFB240NG CFB240LP	240K BTU Original Brass Burner + WATERSTOP	12 lbs	SHIPS PARCEL
Recommended parts - Plate: ALPL30C (circle) or ALPL30S (square) • FK1 • Optional 5x Support Collars			
CIRCLE	CFB240NGALPL30C CFB240LPALPL30C	with 30" Circular Plate	28 lbs SHIPS PARCEL
CIRCLE	CFB240NGALPL30CFK1 CFB240LPALPL30CFK1	with 30" Circular Plate + FK1	31 lbs SHIPS PARCEL
SQUARE	CFB240NGALPL30S CFB240LPALPL30S	with 30" Square Plate	26 lbs SHIPS PARCEL
SQUARE	CFB240NGALPL30SFK1 CFB240LPALPL30SFK1	with 30" Square Plate + FK1	29 lbs SHIPS PARCEL

ORIGINAL CFB290 - Fits 36" plate or larger



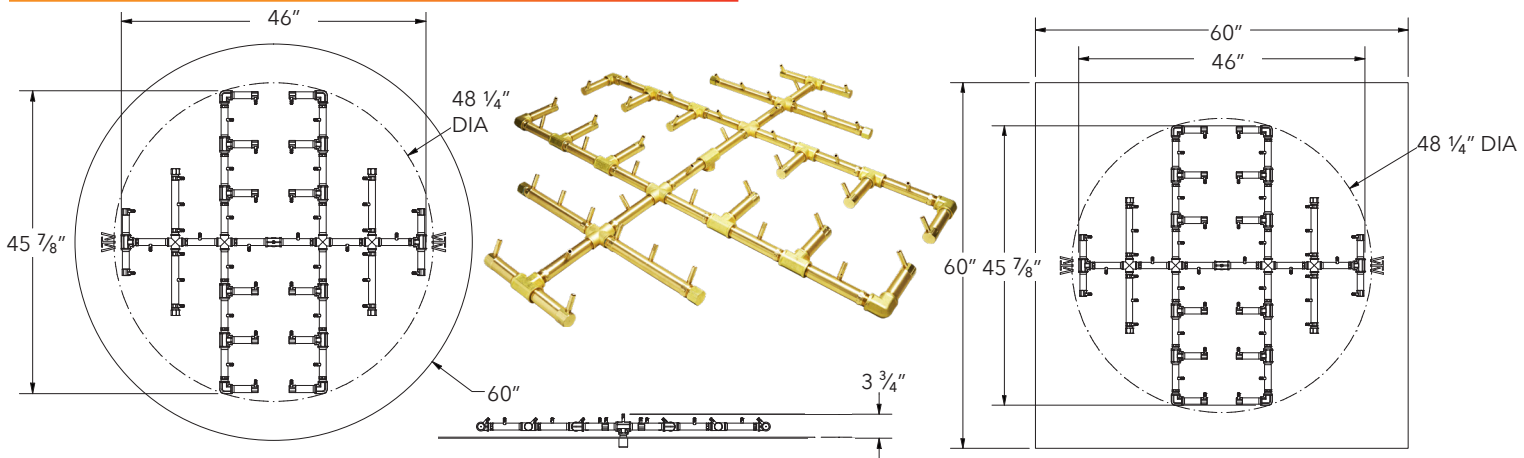
SKU (NG OR LP)	DESCRIPTION	SHIP WEIGHT	SHIP METHOD	
CFB290NG CFB290LP	290K BTU Original Brass Burner + WATERSTOP	12 lbs	SHIPS PARCEL	
Recommended parts - Plate: ALPL36C (circle) or ALPL36S (square) • FK2 • Optional 6x Support Collars				
CIRCLE	CFB290NGALPL36C CFB290LPALPL36C	with 36" Circular Plate	28 lbs	SHIPS PARCEL
CIRCLE	CFB290NGALPL36CFK2 CFB290LPALPL36CFK2	with 36" Circular Plate + FK2	35 lbs	SHIPS PARCEL
SQUARE	CFB290NGALPL36S CFB290LPALPL36S	with 36" Square Plate	31 lbs	SHIPS PARCEL
SQUARE	CFB290NGALPL36SFK2 CFB290LPALPL36SFK2	with 36" Square Plate + FK2	38 lbs	SHIPS PARCEL

ORIGINAL CFB350 - Fits 48" plate or larger



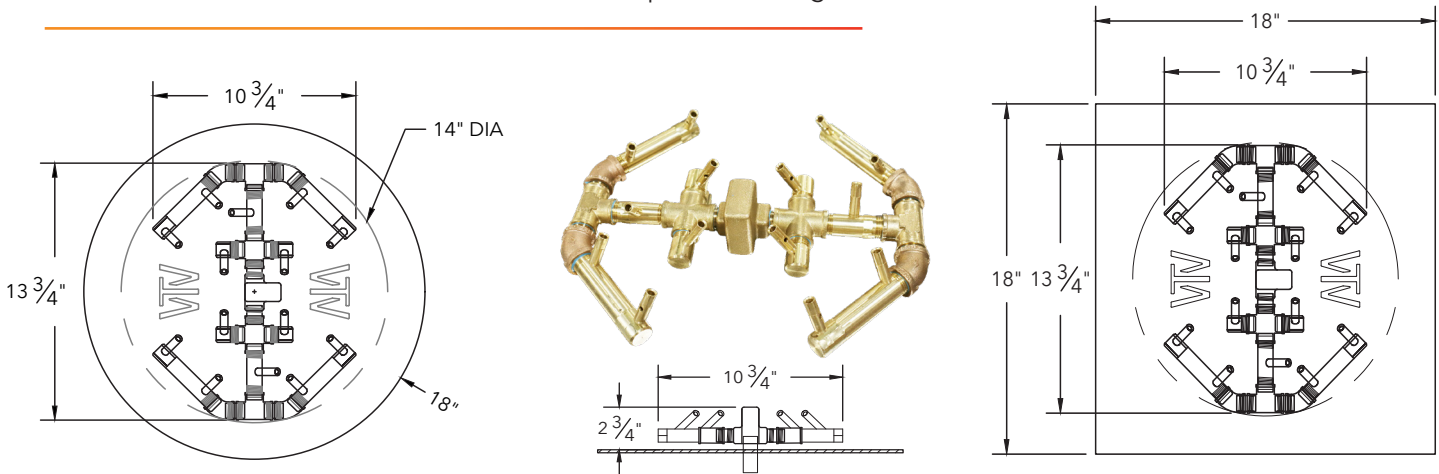
SKU (NG OR LP)	DESCRIPTION	SHIP WEIGHT	SHIP METHOD	
CFB350NG CFB350LP	350K BTU Original Brass Burner	23 lbs	SHIPS PARCEL	
Recommended parts - Plate: ALPL48C (circle) or ALPL48S (square) • FK2 • Optional 8x Support Collars				
CIRCLE	CFB350NGALPL48C CFB350LPALPL48C	with 48" Circular Plate		SHIPS FREIGHT
CIRCLE	CFB350NGALPL48CFK2 CFB350LPALPL48CFK2	with 48" Circular Plate + FK2		SHIPS FREIGHT
SQUARE	CFB350NGALPL48S CFB350LPALPL48S	with 48" Square Plate		SHIPS FREIGHT
SQUARE	CFB350NGALPL48SFK2 CFB350LPALPL48SFK2	with 48" Square Plate + FK2		SHIPS FREIGHT

ORIGINAL CFB450 - Fits 60" plate or larger



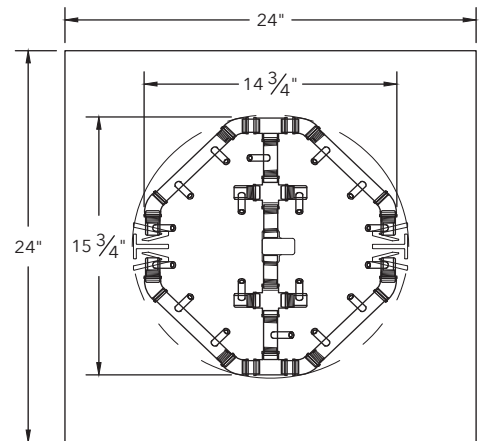
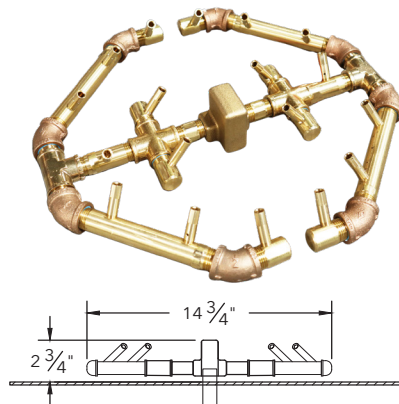
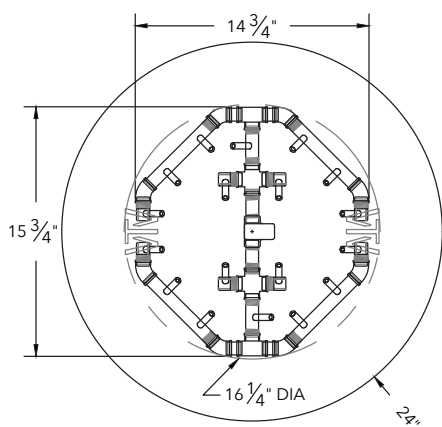
SKU (NG OR LP)	DESCRIPTION	SHIP METHOD	
CFB450NG CFB450LP	450K BTU Original Brass Burner	SHIPS FREIGHT	
Recommended parts - Plate: ALPL60C (circle) or ALPL60S (square) • FK2 • Optional 10x Support Collars			
CIRCLE	CFB450NGALPL60C CFB450LPALPL60C	with 60" Circular Plate	SHIPS FREIGHT
CIRCLE	CFB450NGALPL60CFK2 CFB450LPALPL60CFK2	with 60" Circular Plate + FK2	SHIPS FREIGHT
SQUARE	CFB450NGALPL60S CFB450LPALPL60S	with 60" Square Plate	SHIPS FREIGHT
SQUARE	CFB450NGALPL60SFK2 CFB450LPALPL60SFK2	with 60" Square Plate + FK2	SHIPS FREIGHT

OCTAGONAL CFBO140 - Fits 18" plate or larger



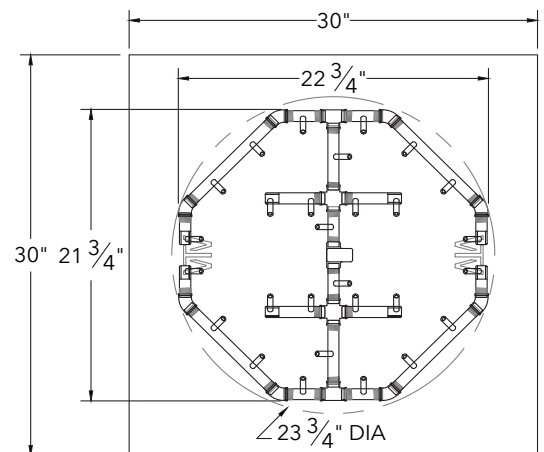
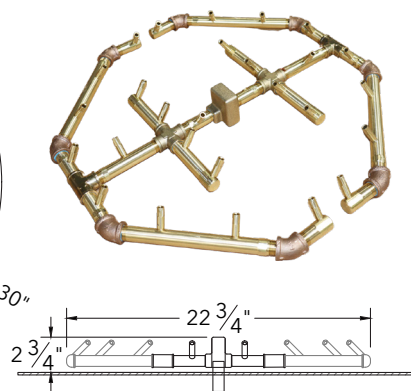
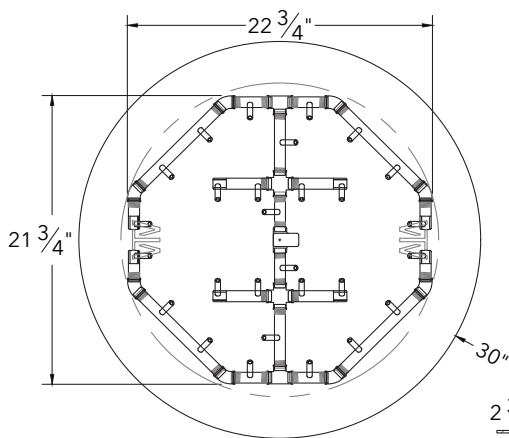
SKU (NG OR LP)	DESCRIPTION	SHIP WEIGHT	SHIP METHOD	
CFBO140NG CFBO140LP	140K BTU Octagonal Brass Burner + WATERSTOP	9 lbs	SHIPS PARCEL	
Recommended parts - Plate: ALPL18C (circle) or ALPL18S (square) • FK1 • Optional 3x Support Collars				
CIRCLE	CFBO140NGALPL18C CFBO140LPALPL18C	with 18" Circular Plate	15 lbs	SHIPS PARCEL
CIRCLE	CFBO140NGALPL18CFK1 CFBO140LPALPL18CFK1	with 18" Circular Plate + FK1	18 lbs	SHIPS PARCEL
SQUARE	CFBO140NGALPL18S CFBO140LPALPL18S	with 18" Square Plate	16 lbs	SHIPS PARCEL
SQUARE	CFBO140NGALPL18SFK1 CFBO140LPALPL18SFK1	with 18" Square Plate + FK1	19 lbs	SHIPS PARCEL

OCTAGONAL CFBO180 - Fits 24" plate or larger



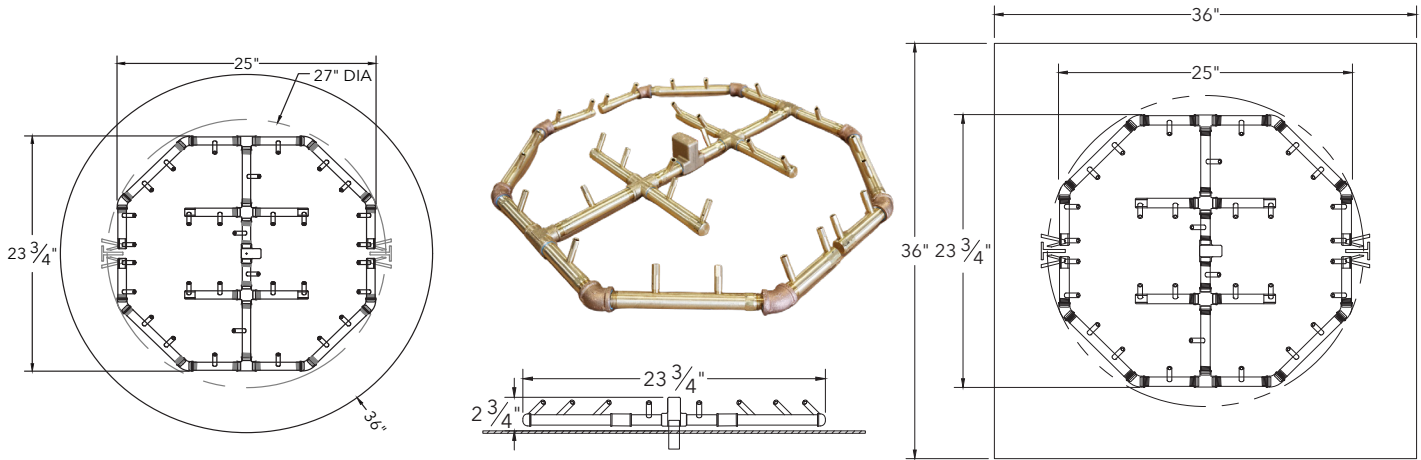
SKU (NG OR LP)	DESCRIPTION	SHIP WEIGHT	SHIP METHOD	
CFBO180NG CFBO180LP	180K BTU Octagonal Brass Burner + WATERSTOP	10 lbs	SHIPS PARCEL	
Recommended parts - Plate: ALPL24C (circle) or ALPL24S (square) • FK1 • Optional 4x Support Collars				
CIRCLE	CFBO180NGALPL24C CFBO180LPALPL24C	with 24" Circular Plate	16 lbs	SHIPS PARCEL
CIRCLE	CFBO180NGALPL24CFK1 CFBO180LPALPL24CFK1	with 24" Circular Plate + FK1	19 lbs	SHIPS PARCEL
SQUARE	CFBO180NGALPL24S CFBO180LPALPL24S	with 24" Square Plate	20 lbs	SHIPS PARCEL
SQUARE	CFBO180NGALPL24SFK1 CFBO180LPALPL24SFK1	with 24" Square Plate + FK1	23 lbs	SHIPS PARCEL

OCTAGONAL CFBO280 - Fits 30" plate or larger



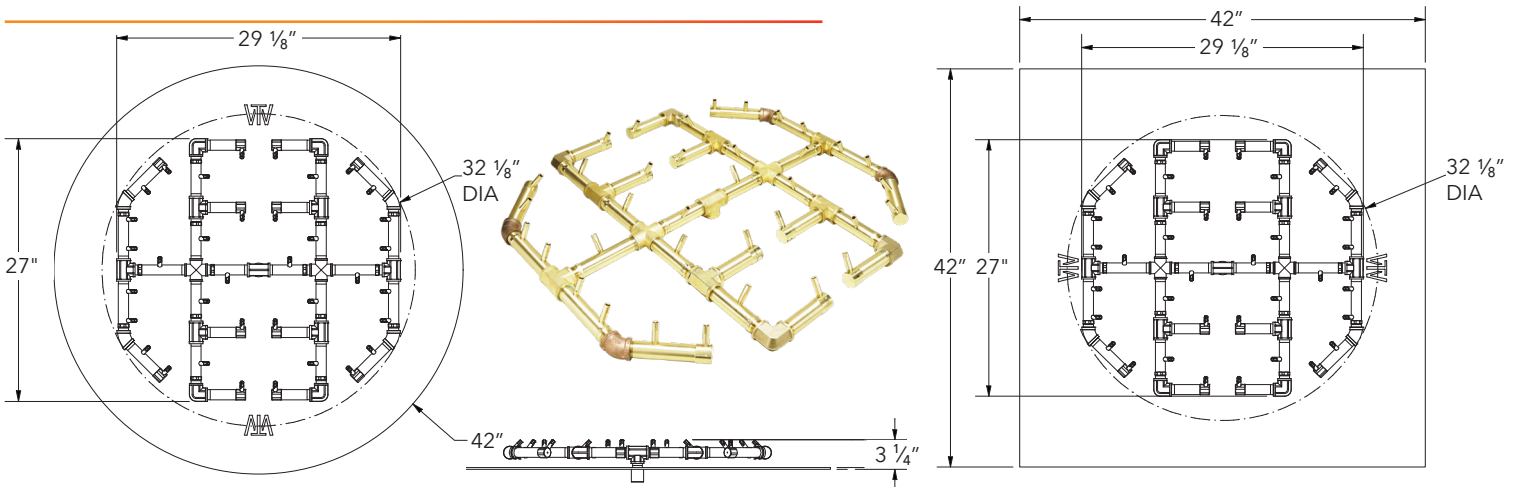
SKU (NG OR LP)	DESCRIPTION	SHIP WEIGHT	SHIP METHOD	
CFBO280NG CFBO280LP	280K BTU Octagonal Brass Burner + WATERSTOP	13 lbs	SHIPS PARCEL	
Recommended parts - Plate: ALPL30C (circle) or ALPL30S (square) • FK2 • Optional 5x Support Collars				
CIRCLE	CFBO280NGALPL30C CFBO280LPALPL30C	with 30" Circular Plate	24 lbs	SHIPS PARCEL
CIRCLE	CFBO280NGALPL30CFK2 CFBO280LPALPL30CFK2	with 30" Circular Plate + FK2	31 lbs	SHIPS PARCEL
SQUARE	CFBO280NGALPL30S CFBO280LPALPL30S	with 30" Square Plate	27 lbs	SHIPS PARCEL
SQUARE	CFBO280NGALPL30SFK2 CFBO280LPALPL30SFK2	with 30" Square Plate + FK2	34 lbs	SHIPS PARCEL

OCTAGONAL CFBO320 – Fits 36" plate or larger



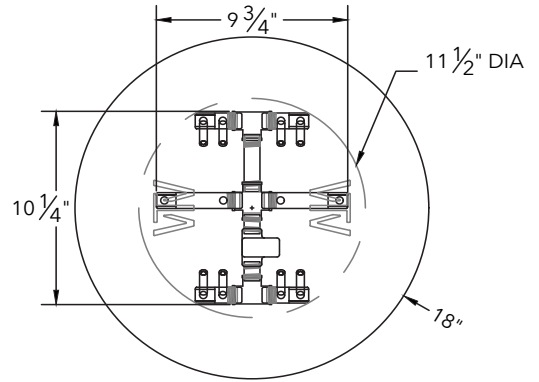
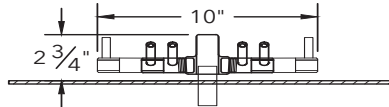
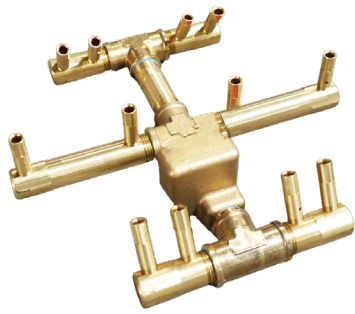
SKU (NG OR LP)	DESCRIPTION	SHIP WEIGHT	SHIP METHOD
CFBO320NG CFBO320LP	320K BTU Octagonal Brass Burner + WATERSTOP	13 lbs	SHIPS PARCEL
Recommended parts - Plate: ALPL36C (circle) or ALPL36S (square) • FK2 • Optional 4x Support Collars			
CIRCLE	CFBO320NGALPL36C CFBO320LPALPL36C	with 36" Circular Plate	29 lbs SHIPS PARCEL
CIRCLE	CFBO320NGALPL36CFK2 CFBO320LPALPL36CFK2	with 36" Circular Plate + FK2	36 lbs SHIPS PARCEL
SQUARE	CFBO320NGALPL36S CFBO320LPALPL36S	with 36" Square Plate	32 lbs SHIPS PARCEL
SQUARE	CFBO320NGALPL36SFK2 CFBO320LPALPL36SFK2	with 36" Square Plate + FK2	39 lbs SHIPS PARCEL

OCTAGONAL CFBO360 – Fits 42" plate or larger



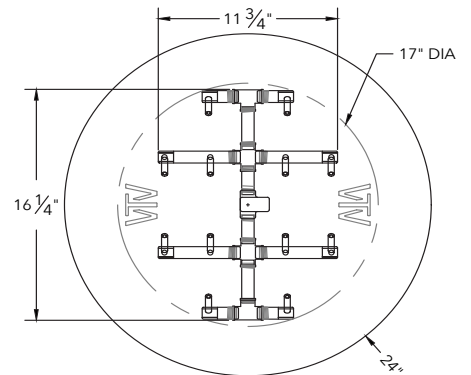
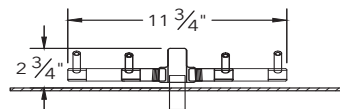
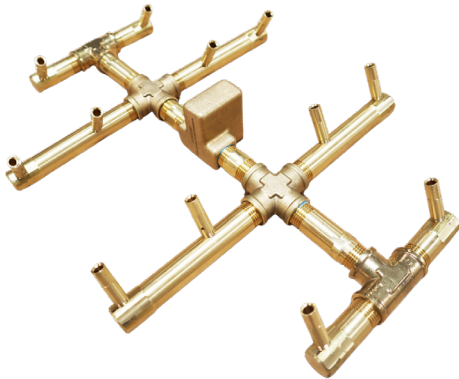
SKU (NG OR LP)	DESCRIPTION	SHIP WEIGHT	SHIP METHOD
CFBO360NG CFBO360LP	360K BTU Octagonal Brass Burner	22 lbs	SHIPS PARCEL
Recommended parts - Plate: ALPL42C (circle) or ALPL42S (square) • FK2 • Optional 7x Support Collars			
CIRCLE	CFBO360NGALPL42C CFBO360LPALPL42C	with 42" Circular Plate	SHIPS FREIGHT
CIRCLE	CFBO360NGALPL42CFK2 CFBO360LPALPL42CFK2	with 42" Circular Plate + FK2	SHIPS FREIGHT
SQUARE	CFBO360NGALPL42S CFBO360LPALPL42S	with 42" Square Plate	SHIPS FREIGHT
SQUARE	CFBO360NGALPL42SFK2 CFBO360LPALPL42SFK2	with 42" Square Plate + FK2	SHIPS FREIGHT

CIRCLE TREE-STYLE CFBCTL120 - For 18" opening or larger



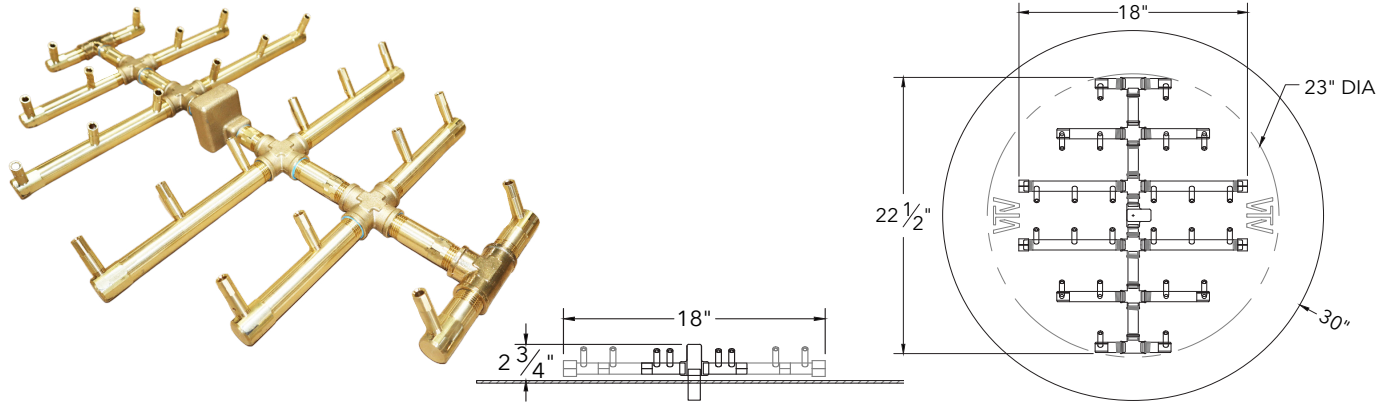
SKU (NG OR LP)	DESCRIPTION	SHIP WEIGHT	SHIP METHOD
CFBCTL120NG CFBCTL120LP	120K BTU Circle Tree-Style Brass Burner + WATERSTOP	6 lbs	SHIPS PARCEL
Recommended parts - Plate: ALPL18C (circle) • FK1 • Optional 3x Support Collars			
CFBCTL120NGALPL18C CFBCTL120LPALPL18C	with 18" Circular Plate	12 lbs	SHIPS PARCEL
CFBCTL120NGALPL18CFK1 CFBCTL120LPALPL18CFK1	with 18" Circular Plate + FK1	15 lbs	SHIPS PARCEL

CIRCLE TREE-STYLE CFBCTXL120 - For 24" opening or larger



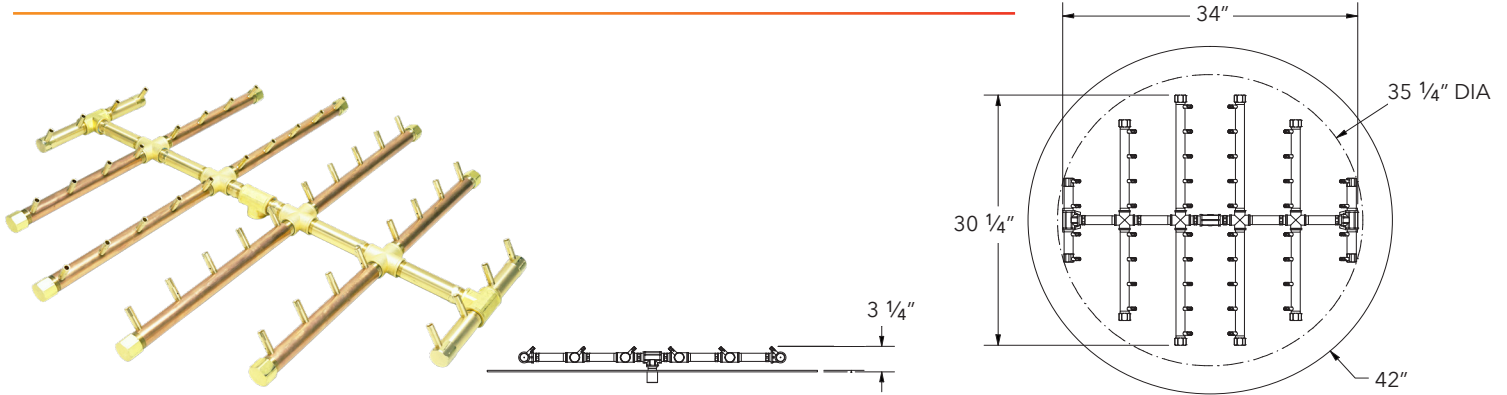
SKU (NG OR LP)	DESCRIPTION	SHIP WEIGHT	SHIP METHOD
CFBCTXL120NG CFBCTXL120LP	120K BTU Extended Length Circle Tree-Style Brass Burner + WATERSTOP	7 lbs	SHIPS PARCEL
Recommended parts - Plate: ALPL24C (circle) • FK1 • Optional 4x Support Collars			
CFBCTXL120NGALPL24C CFBCTXL120LPALPL24C	with 24" Circular Plate	15 lbs	SHIPS PARCEL
CFBCTXL120NGALPL24CFK1 CFBCTXL120LPALPL24CFK1	with 24" Circular Plate + FK1	18 lbs	SHIPS PARCEL

CIRCLE TREE-STYLE CFBCT240 - For 30" opening or larger



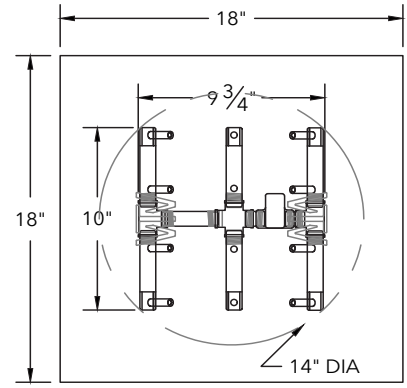
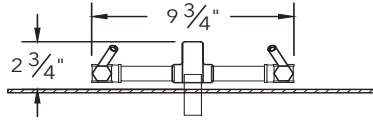
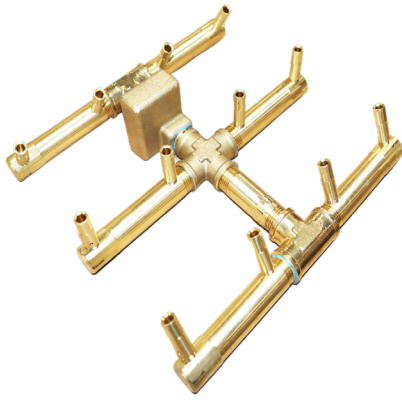
SKU (NG OR LP)	DESCRIPTION	SHIP WEIGHT	SHIP METHOD
CFBCT240NG CFBCT240LP	240K BTU Circle Tree-Style Brass Burner + WATERSTOP	11 lbs	SHIPS PARCEL
Recommended parts - Plate: ALPL30C (circle) • FK1 • Optional 5x Support Collars			
CFBCT240NGALPL30C CFBCT240LPALPL30C	with 30" Circular Plate	22 lbs	SHIPS PARCEL
CFBCT240NGALPL30CFK1 CFBCT240LPALPL30CFK1	with 30" Circular Plate + FK1	25 lbs	SHIPS PARCEL

CIRCLE TREE-STYLE CFBCT440 - For 42" opening or larger



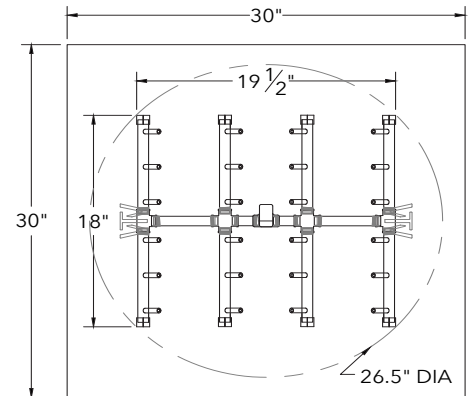
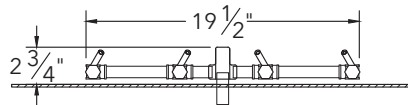
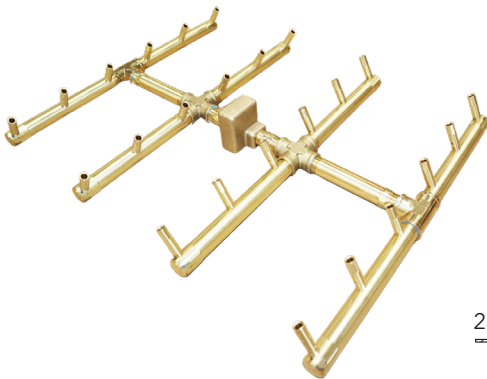
SKU (NG OR LP)	DESCRIPTION	SHIP WEIGHT	SHIP METHOD
CFBCT440NG CFBCT440LP	440K BTU Circle Tree-Style Brass Burner	30 lbs	SHIPS PARCEL
Recommended parts - Plate: ALPL42C (circle) • FK2 • Optional 7x Support Collars			
CFBCT440NGALPL42C CFBCT440LPALPL42C	with 42" Circular Plate		SHIPS FREIGHT
CFBCT440NGALPL42CFK2 CFBCT440LPALPL42CFK2	with 42" Circular Plate + FK2		SHIPS FREIGHT

SQUARE TREE-STYLE CFBST120 - For 18" opening or larger



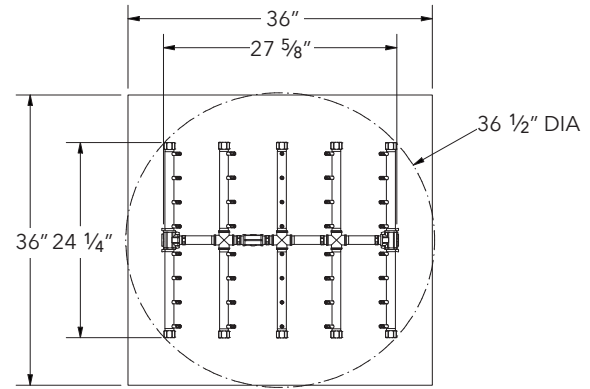
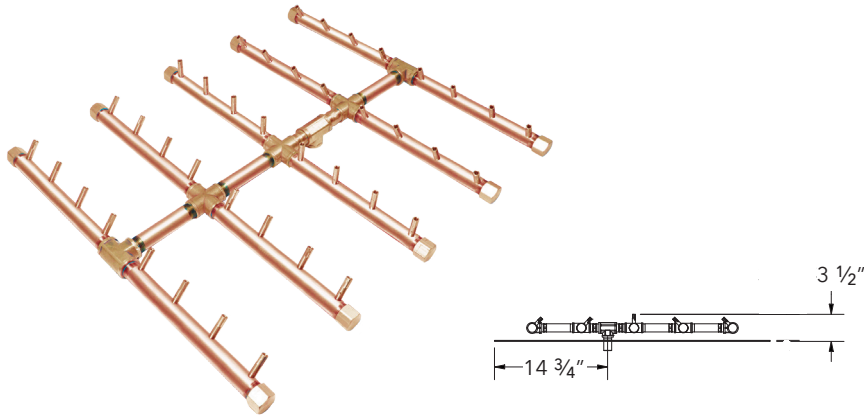
SKU (NG OR LP)	DESCRIPTION	SHIP WEIGHT	SHIP METHOD
CFBST120NG CFBST120LP	120K BTU Square Tree-Style Brass Burner + WATERSTOP	6 lbs	SHIPS PARCEL
Recommended parts - Plate: ALPL18S (square) • FK1 • Optional 4x Support Collars			
CFBST120NGALPL18S CFBST120LPALPL18S	with 18" Square Plate	13 lbs	SHIPS PARCEL
CFBST120NGALPL18SFK1 CFBST120LPALPL18SFK1	with 18" Square Plate + FK1	16 lbs	SHIPS PARCEL

SQUARE TREE-STYLE CFBST240 - For 30" opening or larger



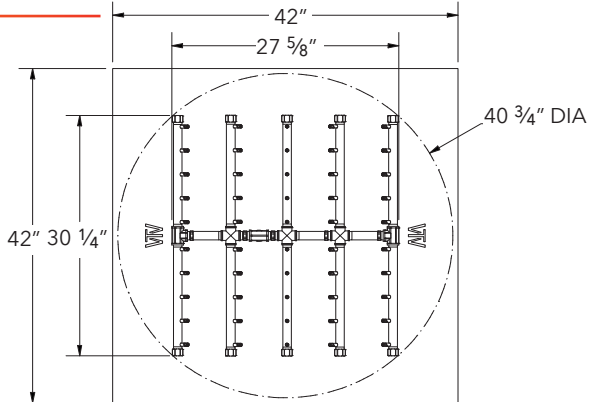
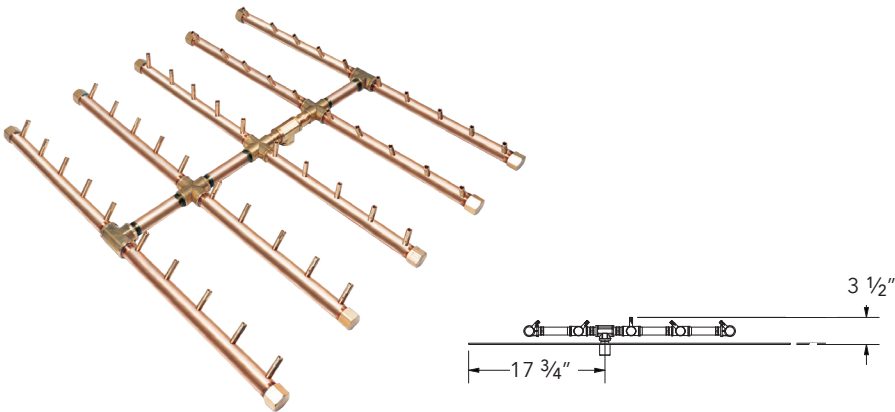
SKU (NG OR LP)	DESCRIPTION	SHIP WEIGHT	SHIP METHOD
CFBST240NG CFBST240LP	240K BTU Square Tree-Style Brass Burner + WATERSTOP	11 lbs	SHIPS PARCEL
Recommended parts - Plate: ALPL30S (square) • FK1 • Optional 4x Support Collars			
CFBST240NGALPL30S CFBST240LPALPL30S	with 30" Square Plate	25 lbs	SHIPS PARCEL
CFBST240NGALPL30SFK1 CFBST240LPALPL30SFK1	with 30" Square Plate + FK1	28 lbs	SHIPS PARCEL

SQUARE TREE-STYLE CFBST400 - For 36" opening or larger



SKU (NG OR LP)	DESCRIPTION	SHIP WEIGHT	SHIP METHOD
CFBST400NG CFBST400LP	400K BTU Square Tree-Style Brass Burner	18 lbs	SHIPS PARCEL
Recommended parts - Plate: ALPL36S (square) • FK2 • Optional 4x Support Collars			
CFBST400NGALPL36S CFBST400LPALPL36S	with 36" Square Plate	37 lbs	SHIPS PARCEL
CFBST400NGALPL36SFK2 CFBST400LPALPL36SFK2	with 36" Square Plate + FK2	44 lbs	SHIPS PARCEL

SQUARE TREE-STYLE CFBST500 - For 42" opening or larger



SKU (NG OR LP)	DESCRIPTION	SHIP WEIGHT	SHIP METHOD
CFBST500NG CFBST500LP	500K BTU Square Tree-Style Brass Burner	22 lbs	SHIPS PARCEL
Recommended parts - Plate: ALPL42S (square) • FK2 • Optional 7x Support Collars			
CFBST500NGALPL42S CFBST500LPALPL42S	with 42" Square Plate		SHIPS FREIGHT
CFBST500NGALPL42SFK2 CFBST500LPALPL42SFK2	with 42" Square Plate + FK2		SHIPS FREIGHT

OPTIONS FOR RECTANGULAR OPENINGS AND OUTDOOR FIREPLACES

Designed for standard-sized rectangular fire features, these CROSSFIRE® Brass Burners range from 90K to 480K BTUs.

When deciding which burner is best for your project, remember to consult the guide on page 6 for information about size compatibility.

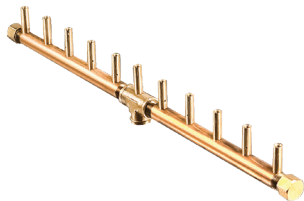
Need a different size, custom shape, or have BTU questions?

Whatever your question, our team is happy to help. Call our Flame Specialists at (303) 346-2224.

COMPLETE THE FEATURE WITH MEDIA, PAGE 65

SEE PAGE 57 FOR AVAILABLE COMPATIBLE IGNITION SYSTEMS

Linear



H-Style



Tree-Style



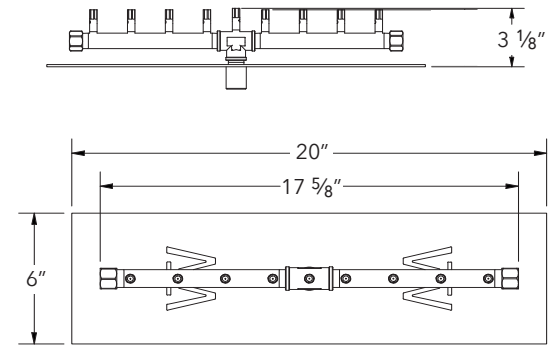
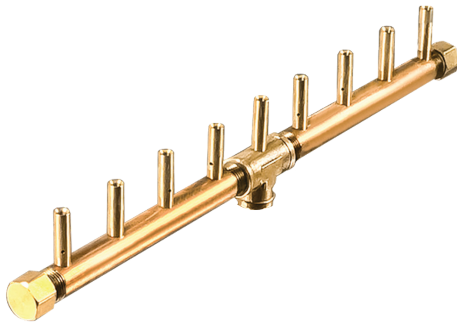
Double Tree-Style



SKU BREAKDOWN C F B O 3 6 0 N G A L P L 4 2 C F K 2

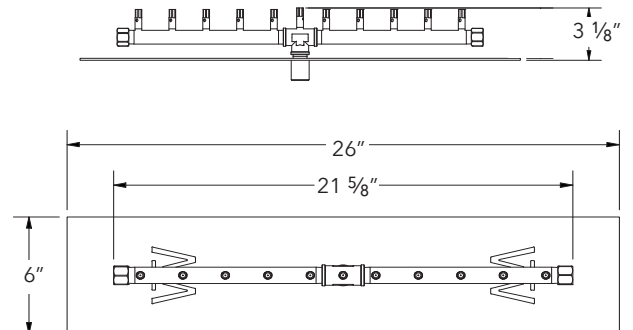
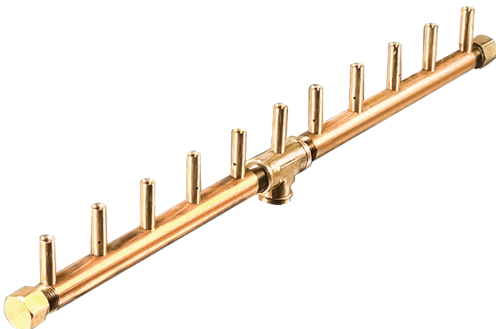
	Octagonal (Burner Type)	Gas Type	Size of Plate	Flex Line Kit
CROSSFIRE® Brass Burner	BTU	Plate or Pan	Shape of Plate or Pan	

LINEAR CFBL90 – For 20" x 6" opening or larger



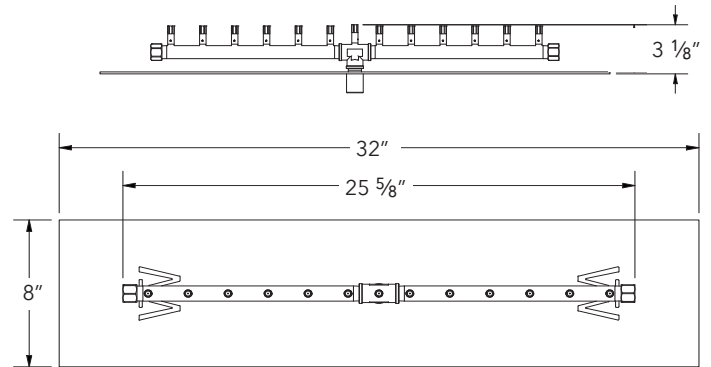
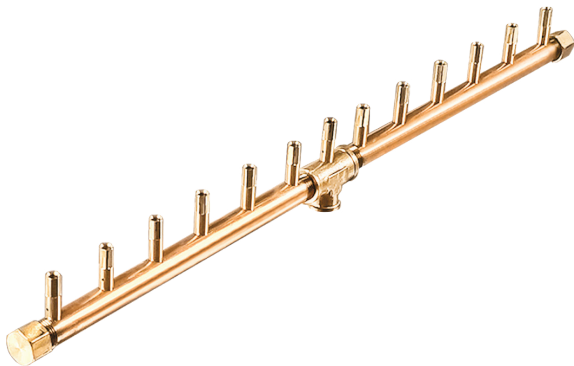
SKU (NG OR LP)	DESCRIPTION	SHIP WEIGHT	SHIP METHOD
CFBL90NG CFBL90LP	90K BTU Linear Brass Burner	4 lbs	SHIPS PARCEL
Recommended parts - Plate: ALPL206 • FK1 • Optional 3x Support Collars			
CFBL90NGALPL206 CFBL90LPALPL206	with 20" x 6" Rectangular Plate	6 lbs	SHIPS PARCEL
CFBL90NGALPL206FK1 CFBL90LPALPL206FK1	with 20" x 6" Plate + FK1	9 lbs	SHIPS PARCEL

LINEAR CFBL110 – For 26" x 6" opening or larger



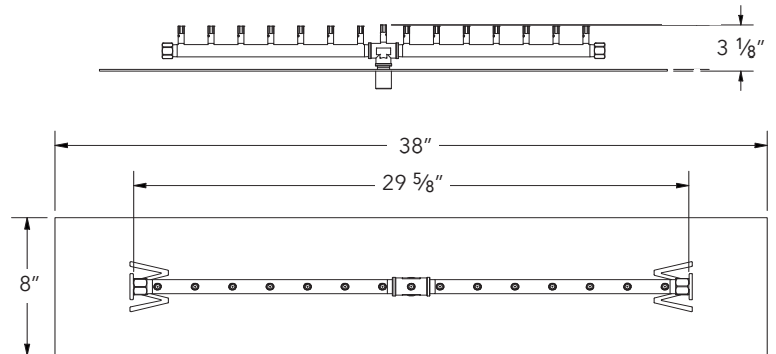
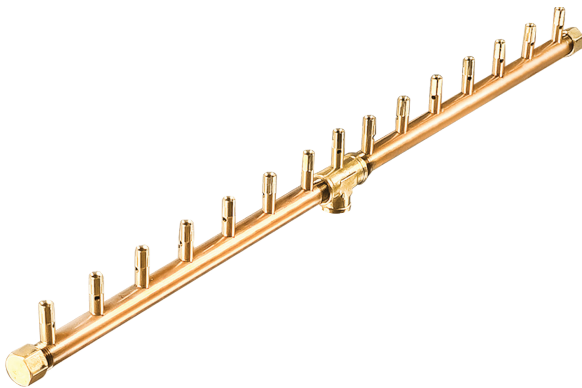
SKU (NG OR LP)	DESCRIPTION	SHIP WEIGHT	SHIP METHOD
CFBL110NG CFBL110LP	110K BTU Linear Brass Burner	5 lbs	SHIPS PARCEL
Recommended parts - Plate: ALPL266 • FK1 • Optional 3x Support Collars			
CFBL110NGALPL266 CFBL110LPALPL266	with 26" x 6" Rectangular Plate	8 lbs	SHIPS PARCEL
CFBL110NGALPL266FK1 CFBL110LPALPL266FK1	with 26" x 6" Plate + FK1	11 lbs	SHIPS PARCEL

LINEAR CFBL130 – For 32" x 8" opening or larger



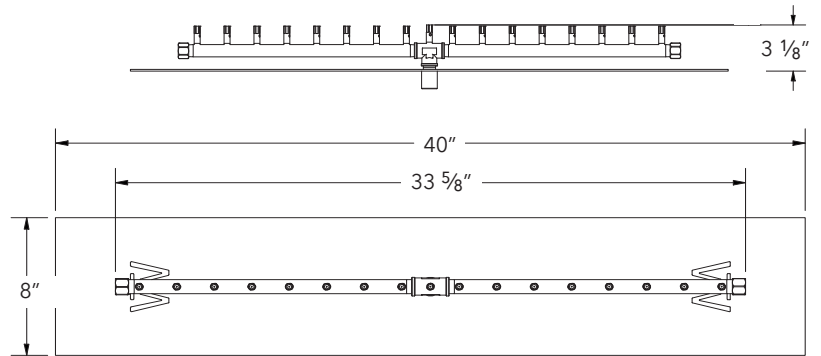
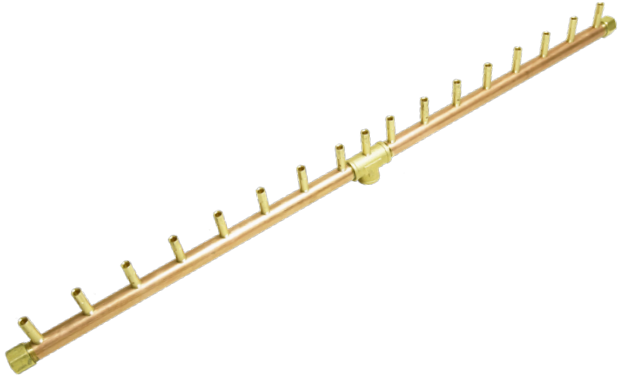
SKU (NG OR LP)	DESCRIPTION	SHIP WEIGHT	SHIP METHOD
CFBL130NG CFBL130LP	130K BTU Linear Brass Burner	5 lbs	SHIPS PARCEL
Recommended parts - Plate: ALPL328 • FK1 • Optional 4x Support Collars			
CFBL130NGALPL328 CFBL130LPALPL328	with 32" x 8" Rectangular Plate	9 lbs	SHIPS PARCEL
CFBL130NGALPL328FK1 CFBL130LPALPL328FK1	with 32" x 8" Plate + FK1	12 lbs	SHIPS PARCEL

LINEAR CFBL150 – For 38" x 8" opening or larger



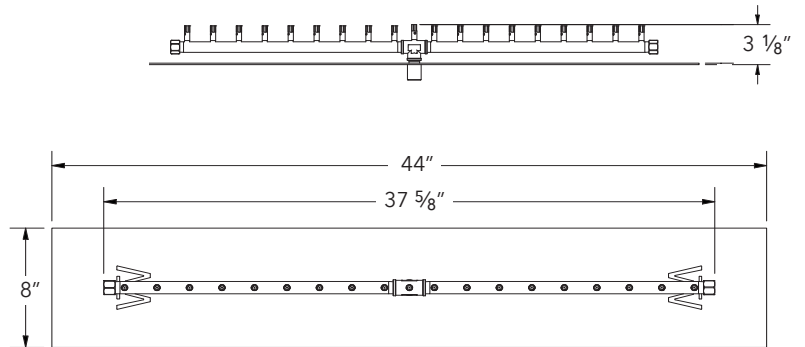
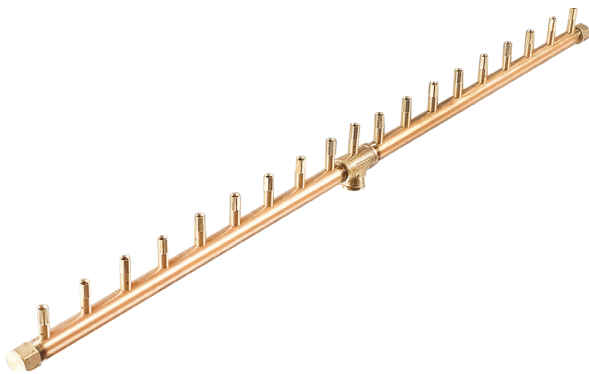
SKU (NG OR LP)	DESCRIPTION	SHIP WEIGHT	SHIP METHOD
CFBL150NG CFBL150LP	150K BTU Linear Brass Burner	5 lbs	SHIPS PARCEL
Recommended parts - Plate: ALPL388 • FK1 • Optional 4x Support Collars			
CFBL150NGALPL388 CFBL150LPALPL388	with 38" x 8" Rectangular Plate	9 lbs	SHIPS PARCEL
CFBL150NGALPL388FK1 CFBL150LPALPL388FK1	with 38" x 8" Plate + FK1	12 lbs	SHIPS PARCEL

LINEAR CFBL170 - For 40" x 8" opening or larger



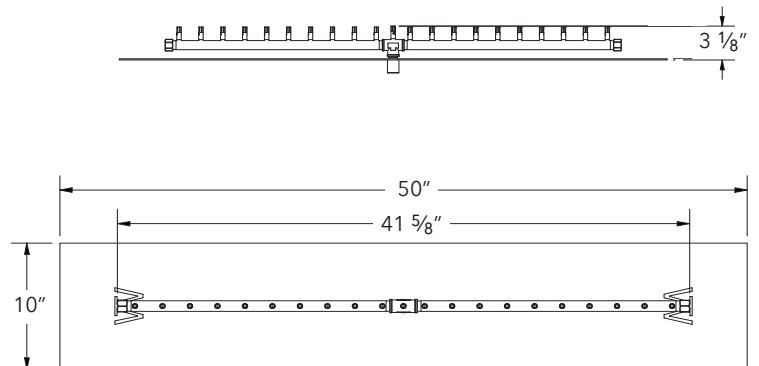
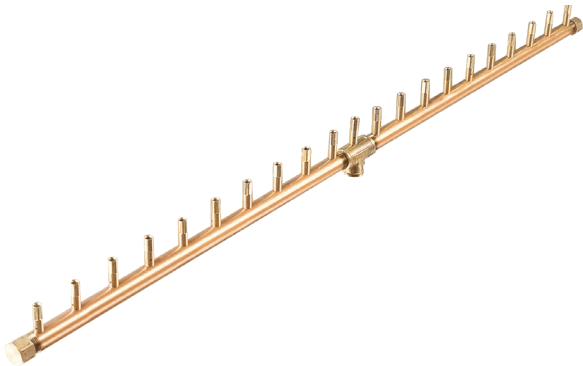
SKU (NG OR LP)	DESCRIPTION	SHIP WEIGHT	SHIP METHOD
CFBL170NG CFBL170LP	170K BTU Linear Brass Burner	5 lbs	SHIPS PARCEL
Recommended parts - Plate: ALPL408 • FK1 • Optional 5x Support Collars			
CFBL170NGALPL408 CFBL170LPALPL408	with 40" x 8" Rectangular Plate	10 lbs	SHIPS PARCEL
CFBL170NGALPL408FK1 CFBL170LPALPL408FK1	with 40" x 8" Plate + FK1	13 lbs	SHIPS PARCEL

LINEAR CFBL190 - For 44" x 8" opening or larger



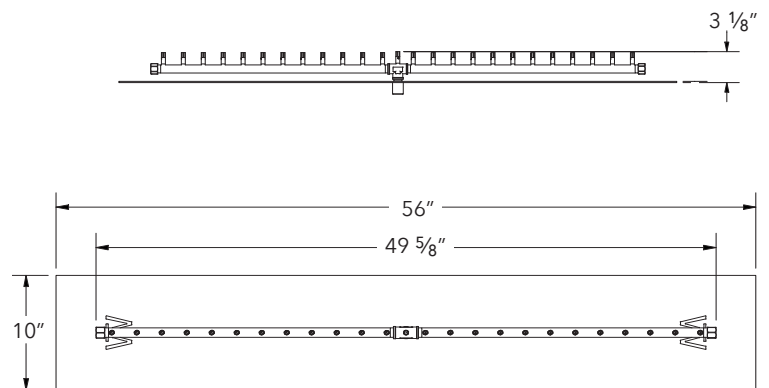
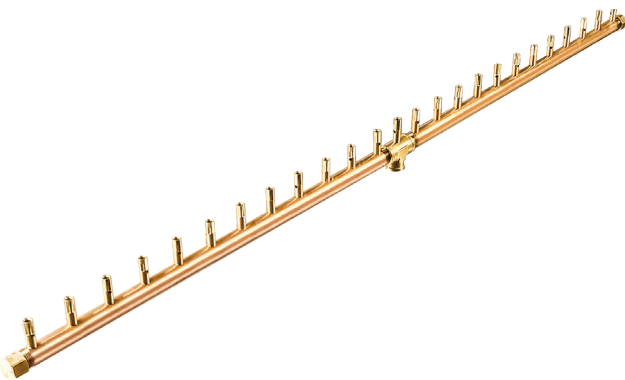
SKU (NG OR LP)	DESCRIPTION	SHIP WEIGHT	SHIP METHOD
CFBL190NG CFBL190LP	190K BTU Linear Brass Burner	6 lbs	SHIPS PARCEL
Recommended parts - Plate: ALPL448 • FK1 • Optional 5x Support Collars			
CFBL190NGALPL448 CFBL190LPALPL448	with 44" x 8" Rectangular Plate	14 lbs	SHIPS PARCEL
CFBL190NGALPL448FK1 CFBL190LPALPL448FK1	with 44" x 8" Plate + FK1	17 lbs	SHIPS PARCEL

LINEAR CFBL210 - For 50" x 10" opening or larger



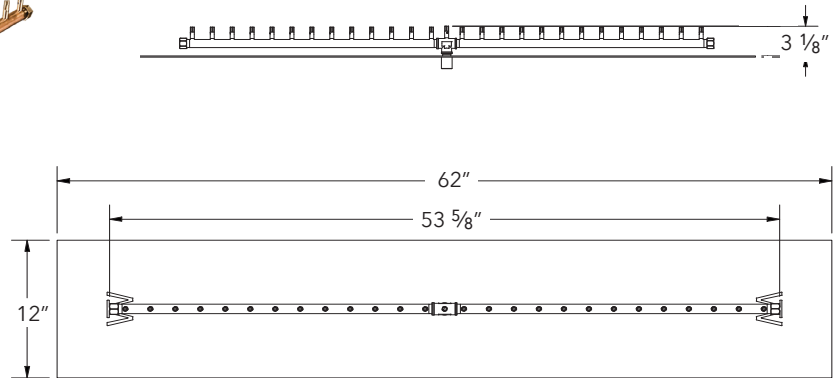
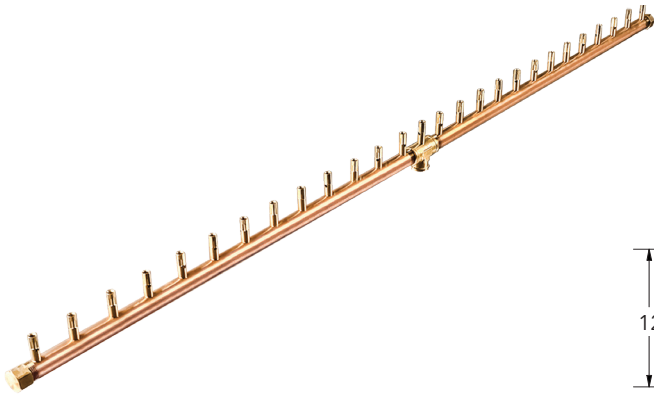
SKU (NG OR LP)	DESCRIPTION	SHIP WEIGHT	SHIP METHOD
CFBL210NG CFBL210LP	210K BTU Linear Brass Burner	7 lbs	SHIPS PARCEL
Recommended parts - Plate: ALPL5010 • FK1 • Optional 6x Support Collars			
CFBL210NGALPL5010 CFBL210LPALPL5010	with 50" x 10" Rectangular Plate	17 lbs	SHIPS PARCEL
CFBL210NGALPL5010FK1 CFBL210LPALPL5010FK1	with 50" x 10" Plate + FK1	20 lbs	SHIPS PARCEL

LINEAR CFBL250 - For 56" x 10" opening or larger



SKU (NG OR LP)	DESCRIPTION	SHIP WEIGHT	SHIP METHOD
CFBL250NG CFBL250LP	250K BTU Linear Brass Burner	7 lbs	SHIPS PARCEL
Recommended parts - Plate: ALPL5610 • FK2 • Optional 7x Support Collars			
CFBL250NGALPL5610 CFBL250LPALPL5610	with 56" x 10" Rectangular Plate	19 lbs	SHIPS PARCEL
CFBL250NGALPL5610FK2 CFBL250LPALPL5610FK2	with 56" x 10" Plate + FK2	26 lbs	SHIPS PARCEL

LINEAR CFBL270 - For 62" x 12" opening or larger



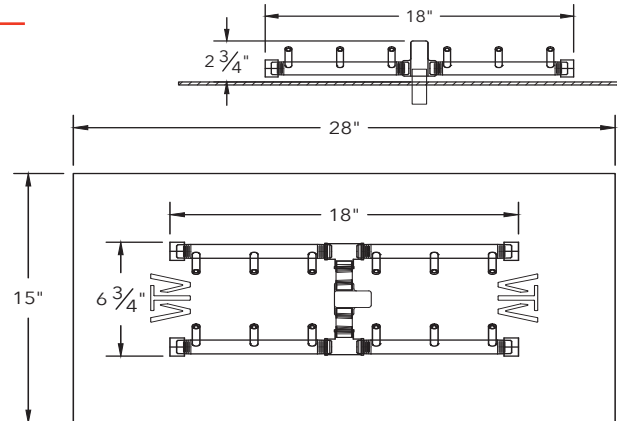
SKU (NG OR LP)	DESCRIPTION	SHIP WEIGHT	SHIP METHOD
CFBL270NG CFBL270LP	270K BTU Linear Brass Burner	8 lbs	SHIPS PARCEL
Recommended parts - Plate: ALPL6212 • FK2 • Optional 8x Support Collars			
CFBL270NGALPL6212 CFBL270LPALPL6212	with 62" x 12" Rectangular Plate		SHIPS FREIGHT
CFBL270NGALPL6212FK2 CFBL270LPALPL6212FK2	with 62" x 12" Plate + FK2		SHIPS FREIGHT



**FIRE.
PERFECTED.**

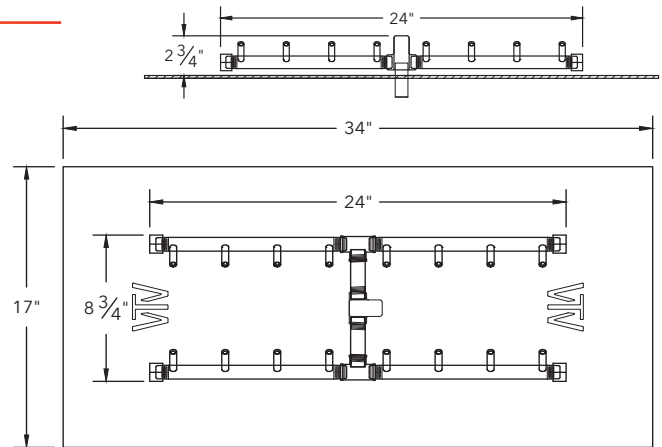
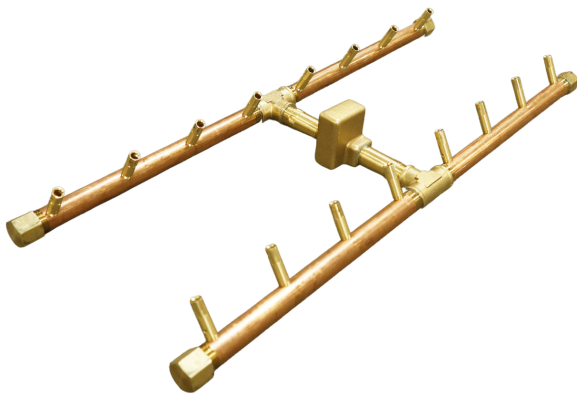
We provide the tallest, brightest and most natural looking flame for your customers.

H-STYLE CFBH120 - For 28" x 15" opening or larger



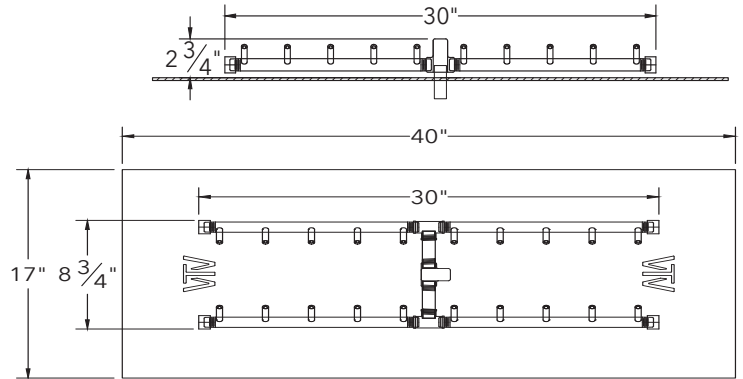
SKU (NG OR LP)	DESCRIPTION	SHIP WEIGHT	SHIP METHOD
CFBH120NG CFBH120LP	120K BTU H-Style Brass Burner + WATERSTOP	7 lbs	SHIPS PARCEL
Recommended parts - Plate: ALPL2815 • FK1 • Optional 4x Support Collars			
CFBH120NGALPL2815 CFBH120LPALPL2815	with 28" x 15" Rectangular Plate	13 lbs	SHIPS PARCEL
CFBH120NGALPL2815FK1 CFBH120LPALPL2815FK1	with 28" x 15" Plate + FK1	16 lbs	SHIPS PARCEL

H-STYLE CFBH160 - For 34" x 17" opening or larger



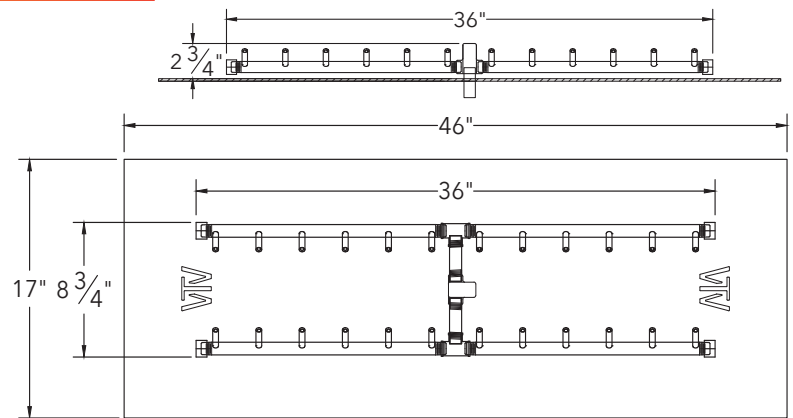
SKU (NG OR LP)	DESCRIPTION	SHIP WEIGHT	SHIP METHOD
CFBH160NG CFBH160LP	160K BTU H-Style Brass Burner + WATERSTOP	8 lbs	SHIPS PARCEL
Recommended parts - Plate: ALPL3417 • FK1 • Optional 5x Support Collars			
CFBH160NGALPL3417 CFBH160LPALPL3417	with 34" x 17" Rectangular Plate	16 lbs	SHIPS PARCEL
CFBH160NGALPL3417FK1 CFBH160LPALPL3417FK1	with 34" x 17" Plate + FK1	19 lbs	SHIPS PARCEL

H-STYLE CFBH200 – For 40" x 17" opening or larger



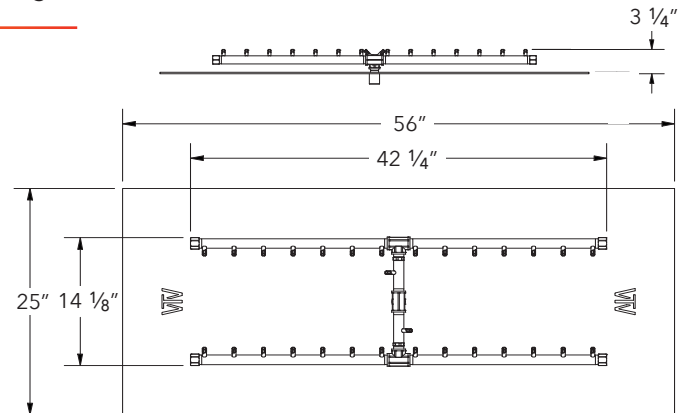
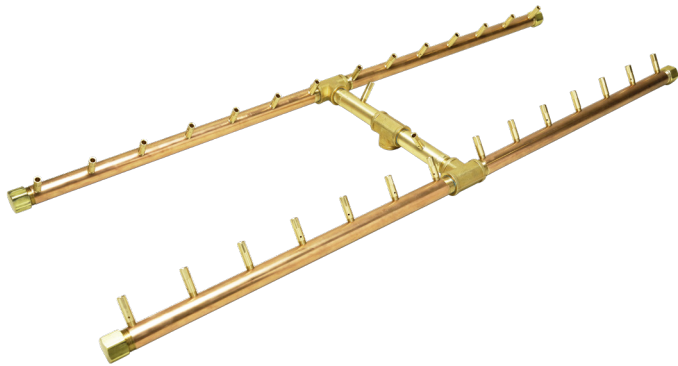
SKU (NG OR LP)	DESCRIPTION	SHIP WEIGHT	SHIP METHOD
CFBH200NG CFBH200LP	200K BTU H-Style Brass Burner + WATERSTOP	9 lbs	SHIPS PARCEL
Recommended parts - Plate: ALPL4017 • FK1 • Optional 6x Support Collars			
CFBH200NGALPL4017 CFBH200LPALPL4017	with 40" x 17" Rectangular Plate	18 lbs	SHIPS PARCEL
CFBH200NGALPL4017FK1 CFBH200LPALPL4017FK1	with 40" x 17" Plate + FK1	21 lbs	SHIPS PARCEL

H-STYLE CFBH240 – For 46" x 17" opening or larger



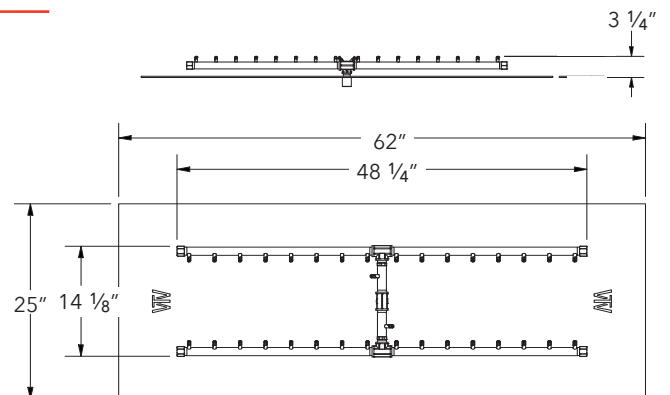
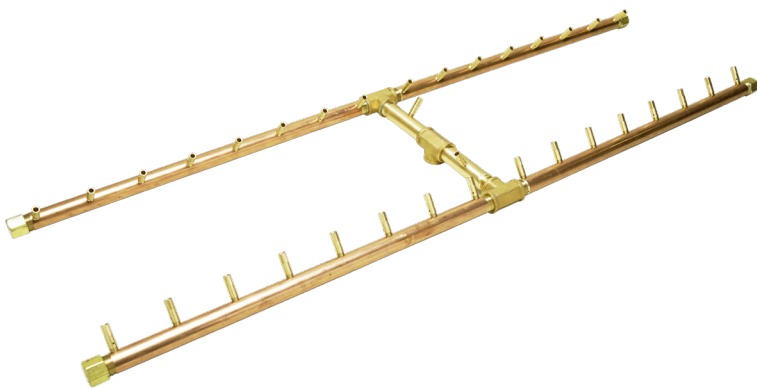
SKU (NG OR LP)	DESCRIPTION	SHIP WEIGHT	SHIP METHOD
CFBH240NG CFBH240LP	240K BTU H-Style Brass Burner + WATERSTOP	10 lbs	SHIPS PARCEL
Recommended parts - Plate: ALPL4617 • FK1 • Optional 7x Support Collars			
CFBH240NGALPL4617 CFBH240LPALPL4617	with 46" x 17" Rectangular Plate	26 lbs	SHIPS PARCEL
CFBH240NGALPL4617FK1 CFBH240LPALPL4617FK1	with 46" x 17" Plate + FK1	29 lbs	SHIPS PARCEL

H-STYLE CFBH300 - For 56" x 25" opening or larger



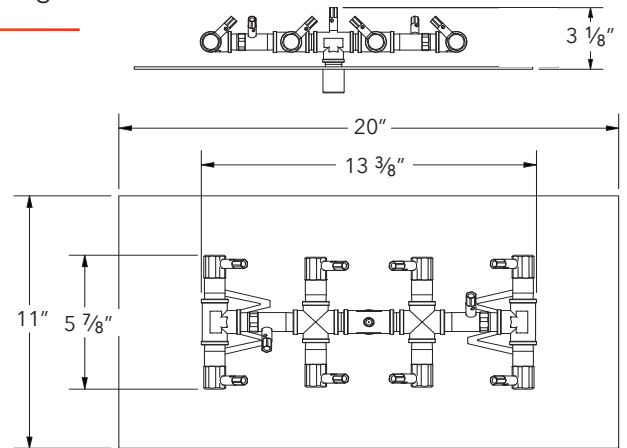
SKU (NG OR LP)	DESCRIPTION	SHIP WEIGHT	SHIP METHOD
CFBH300NG CFBH300LP	300K BTU H-Style Brass Burner	18 lbs	SHIPS PARCEL
Recommended parts - Plate: ALPL5625 • FK2 • Optional 9x Support Collars			
CFBH300NGALPL5625 CFBH300LPALPL5625	with 56" x 25" Rectangular Plate		SHIPS FREIGHT
CFBH300NGALPL5625FK2 CFBH300LPALPL5625FK2	with 56" x 25" Plate + FK2		SHIPS FREIGHT

H-STYLE CFBH340 - For 62" x 25" opening or larger



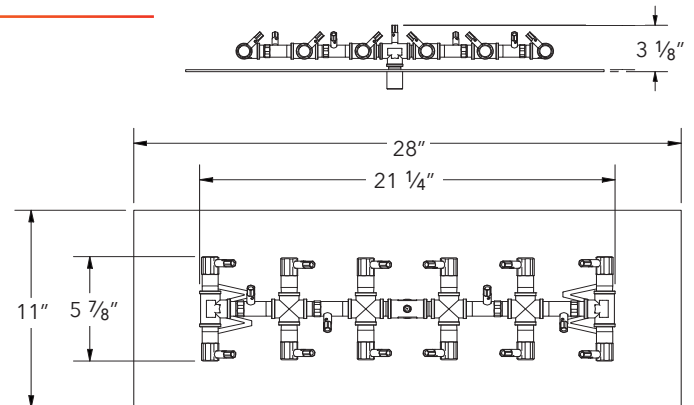
SKU (NG OR LP)	DESCRIPTION	SHIP WEIGHT	SHIP METHOD
CFBH340NG CFBH340LP	340K BTU H-Style Brass Burner	24 lbs	SHIPS PARCEL
Recommended parts - Plate: ALPL6225 • FK2 • Optional 9x Support Collars			
CFBH340NGALPL6225 CFBH340LPALPL6225	with 62" x 25" Rectangular Plate		SHIPS FREIGHT
CFBH340NGALPL6225FK2 CFBH340LPALPL6225FK2	with 62" x 25" Plate + FK2		SHIPS FREIGHT

TREE-STYLE CFBT110 - For 20" x 11" opening or larger



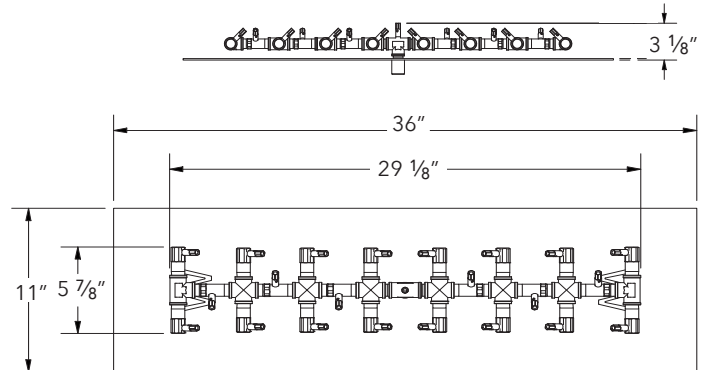
SKU (NG OR LP)	DESCRIPTION	SHIP WEIGHT	SHIP METHOD
CFBT110NG CFBT110LP	110K BTU Tree-Style Brass Burner	6 lbs	SHIPS PARCEL
Recommended parts - Plate: ALPL2011 • FK1 • Optional 3x Support Collars			
CFBT110NGALPL2011 CFBT110LPALPL2011	with 20" x 11" Rectangular Plate	9 lbs	SHIPS PARCEL
CFBT110NGALPL2011FK1 CFBT110LPALPL2011FK1	with 20" x 11" Plate + FK1	12 lbs	SHIPS PARCEL

TREE-STYLE CFBT170 - For 28" x 11" opening or larger



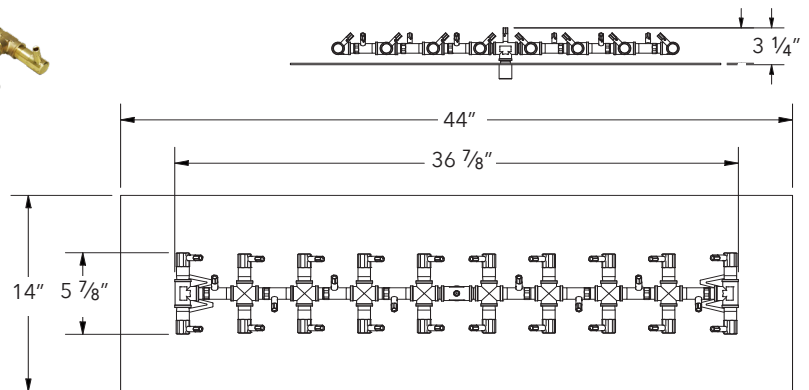
SKU (NG OR LP)	DESCRIPTION	SHIP WEIGHT	SHIP METHOD
CFBT170NG CFBT170LP	170K BTU Tree-Style Brass Burner	8 lbs	SHIPS PARCEL
Recommended parts - Plate: ALPL2811 • FK1 • Optional 4x Support Collars			
CFBT170NGALPL2811 CFBT170LPALPL2811	with 28" x 11" Rectangular Plate	13 lbs	SHIPS PARCEL
CFBT170NGALPL2811FK1 CFBT170LPALPL2811FK1	with 28" x 11" Plate + FK1	16 lbs	SHIPS PARCEL

TREE-STYLE CFBT230 – For 36" x 11" opening or larger



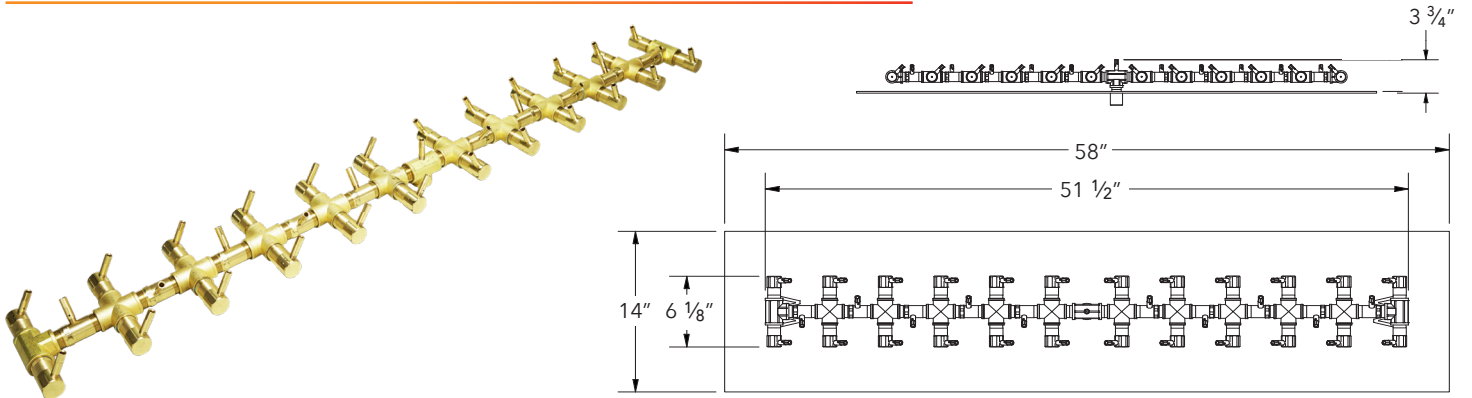
SKU (NG OR LP)	DESCRIPTION	SHIP WEIGHT	SHIP METHOD
CFBT230NG CFBT230LP	230K BTU Tree-Style Brass Burner	10 lbs	SHIPS PARCEL
Recommended parts - Plate: ALPL3611 • FK1 • Optional 5x Support Collars			
CFBT230NGALPL3611 CFBT230LPALPL3611	with 36" x 11" Rectangular Plate	16 lbs	SHIPS PARCEL
CFBT230NGALPL3611FK1 CFBT230LPALPL3611FK1	with 36" x 11" Plate + FK1	19 lbs	SHIPS PARCEL

TREE-STYLE CFBT290 – For 44" x 14" opening or larger



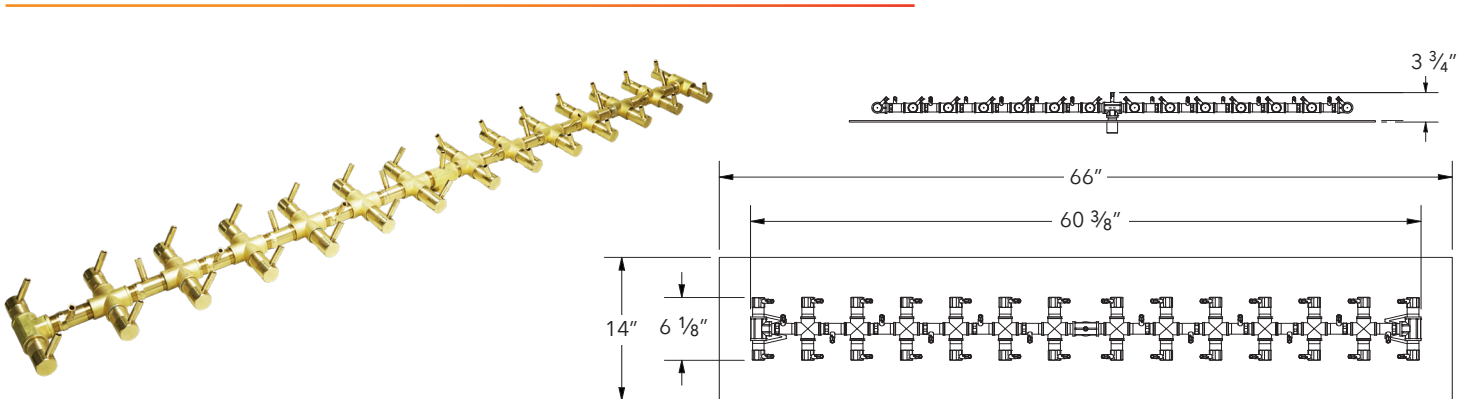
SKU (NG OR LP)	DESCRIPTION	SHIP WEIGHT	SHIP METHOD
CFBT290NG CFBT290LP	290K BTU Tree-Style Brass Burner	12 lbs	SHIPS PARCEL
Recommended parts - Plate: ALPL4414 • FK2 • Optional 5x Support Collars			
CFBT290NGALPL4414 CFBT290LPALPL4414	with 44" x 14" Rectangular Plate	25 lbs	SHIPS PARCEL
CFBT290NGALPL4414FK2 CFBT290LPALPL4414FK2	with 44" x 14" Plate + FK2	32 lbs	SHIPS PARCEL

TREE-STYLE CFBT350 – For 58" x 14" opening or larger



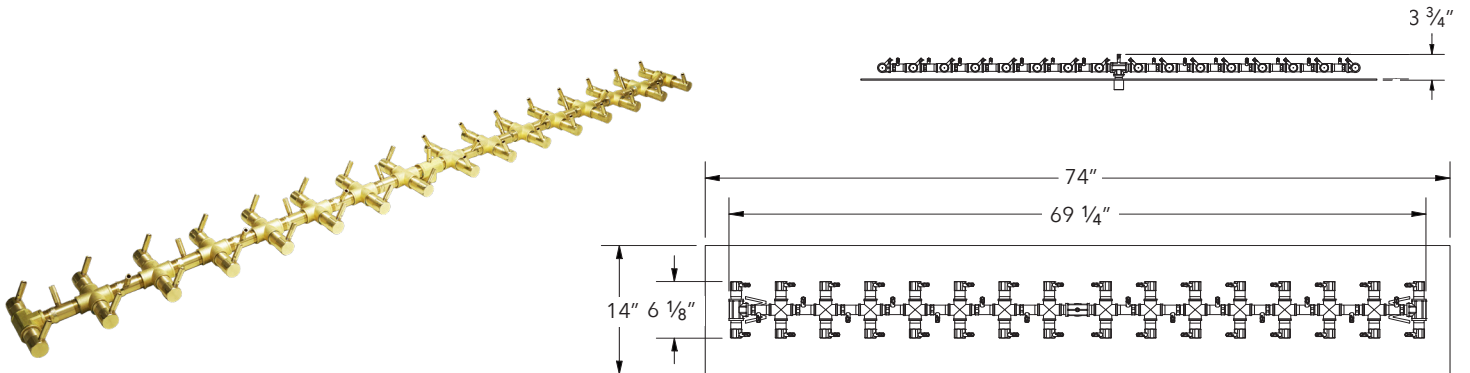
SKU (NG OR LP)	DESCRIPTION	SHIP WEIGHT	SHIP METHOD
CFBT350NG CFBT350LP	350K BTU Tree-Style Brass Burner	20 lbs	SHIPS PARCEL
Recommended parts - Plate: ALPL5814 • FK2 • Optional 7x Support Collars			
CFBT350NGALPL5814 CFBT350LPALPL5814	with 58" x 14" Rectangular Plate		SHIPS FREIGHT
CFBT350NGALPL5814FK2 CFBT350LPALPL5814FK2	with 58" x 14" Plate + FK2		SHIPS FREIGHT

TREE-STYLE CFBT410 – For 66" x 14" opening or larger



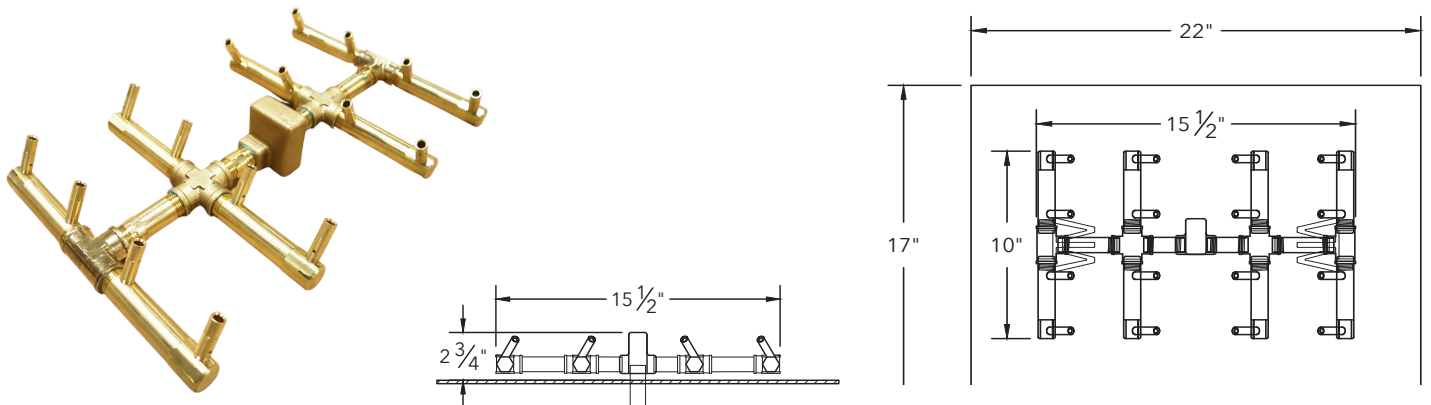
SKU (NG OR LP)	DESCRIPTION	SHIP WEIGHT	SHIP METHOD
CFBT410NG CFBT410LP	410K BTU Tree-Style Brass Burner	20 lbs	SHIPS PARCEL
Recommended parts - Plate: ALPL6614 • FK2 • Optional 8x Support Collars			
CFBT410NGALPL6614 CFBT410LPALPL6614	with 66" x 14" Rectangular Plate		SHIPS FREIGHT
CFBT410NGALPL6614FK2 CFBT410LPALPL6614FK2	with 66" x 14" Plate + FK2		SHIPS FREIGHT

TREE-STYLE CFBT470 – For 74" x 14" opening or larger



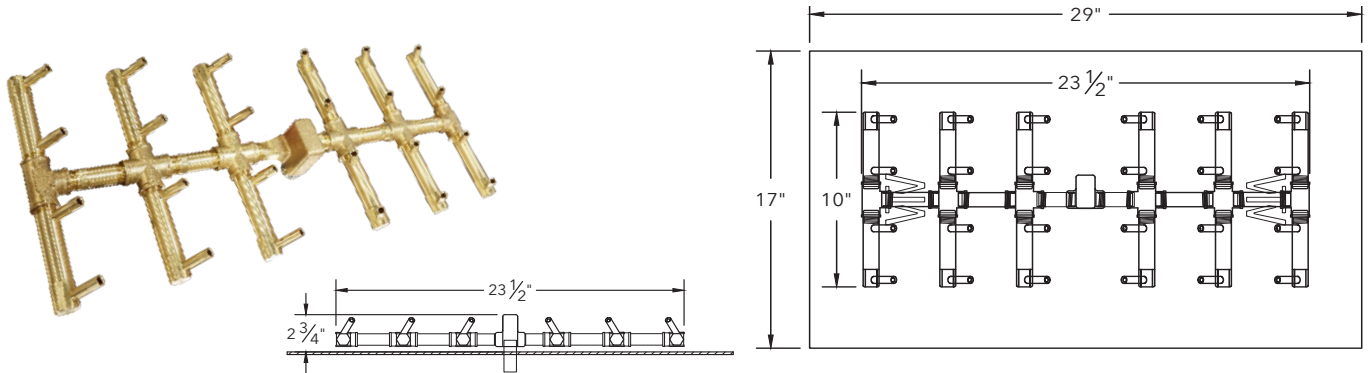
SKU (NG OR LP)	DESCRIPTION	SHIP METHOD
CFBT470NG CFBT470LP	470K BTU Tree-Style Brass Burner	SHIPS FREIGHT
Recommended parts - Plate: ALPL7414 • FK2 • Optional 9x Support Collars		
CFBT470NGALPL7414 CFBT470LPALPL7414	with 74" x 14" Rectangular Plate	SHIPS FREIGHT
CFBT470NGALPL7414FK2 CFBT470LPALPL7414FK2	with 74" x 14" Plate + FK2	SHIPS FREIGHT

DOUBLE TREE-STYLE CFBDT160 – For 22" x 17" opening or larger



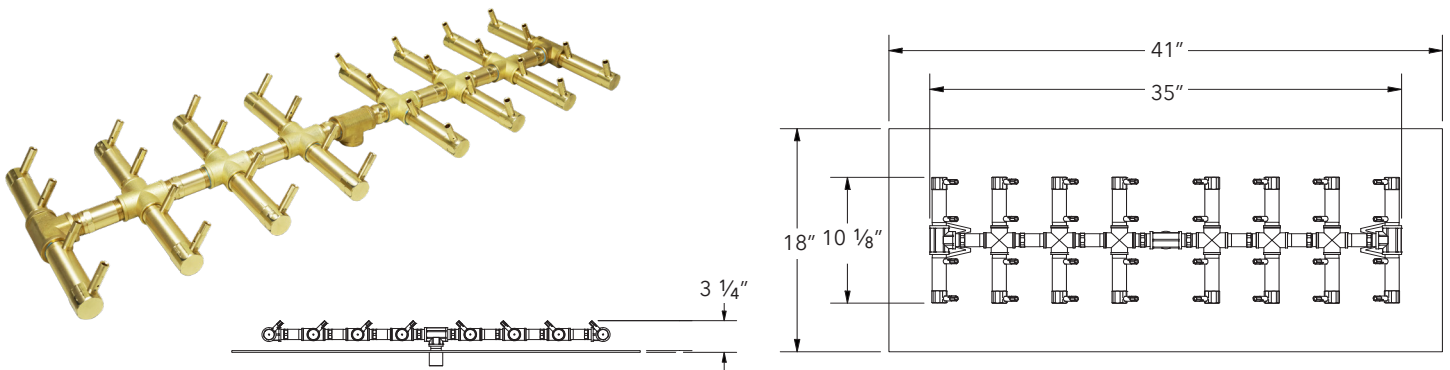
SKU (NG OR LP)	DESCRIPTION	SHIP WEIGHT	SHIP METHOD
CFBDT160NG CFBDT160LP	160K BTU Double Tree-Style Brass Burner + WATERSTOP	8 lbs	SHIPS PARCEL
Recommended parts - Plate: ALPL2217 • FK1 • Optional 4x Support Collars			
CFBDT160NGALPL2217 CFBDT160LPALPL2217	with 22" x 17" Rectangular Plate	13 lbs	SHIPS PARCEL
CFBDT160NGALPL2217FK1 CFBDT160LPALPL2217FK1	with 22" x 17" Plate + FK1	16 lbs	SHIPS PARCEL

DOUBLE TREE-STYLE CFBDT240 – For 29" x 17" opening or larger



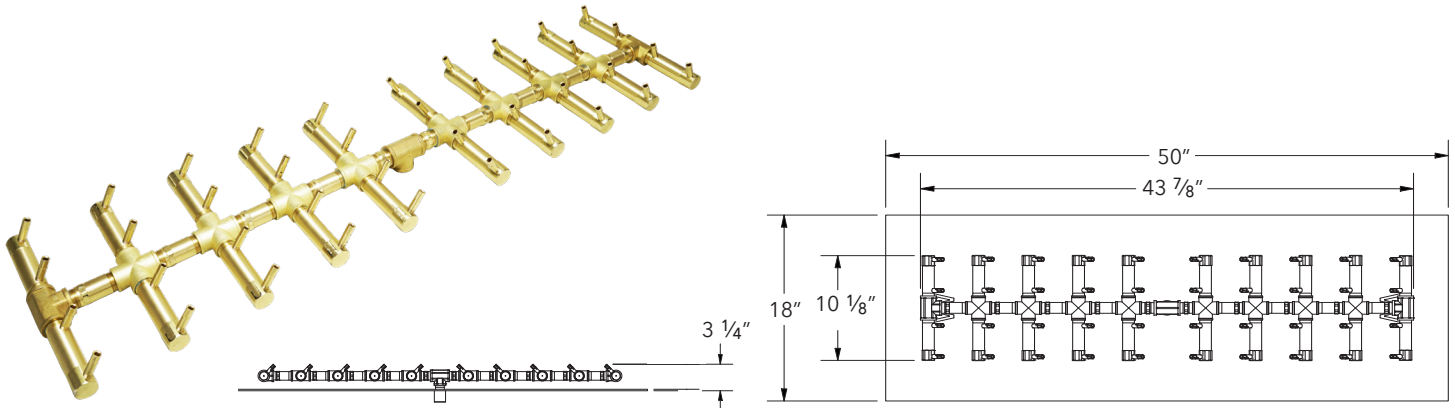
SKU (NG OR LP)	DESCRIPTION	SHIP WEIGHT	SHIP METHOD
CFBDT240NG CFBDT240LP	240K BTU Double Tree-Style Brass Burner + WATERSTOP	11 lbs	SHIPS PARCEL
Recommended parts - Plate: ALPL2917 • FK1 • Optional 5x Support Collars			
CFBDT240NGALPL2917 CFBDT240LPALPL2917	with 29" x 17" Rectangular Plate	18 lbs	SHIPS PARCEL
CFBDT240NGALPL2917FK1 CFBDT240LPALPL2917FK1	with 29" x 17" Plate + FK1	21 lbs	SHIPS PARCEL

DOUBLE TREE-STYLE CFBDT320 – For 41" x 18" opening or larger



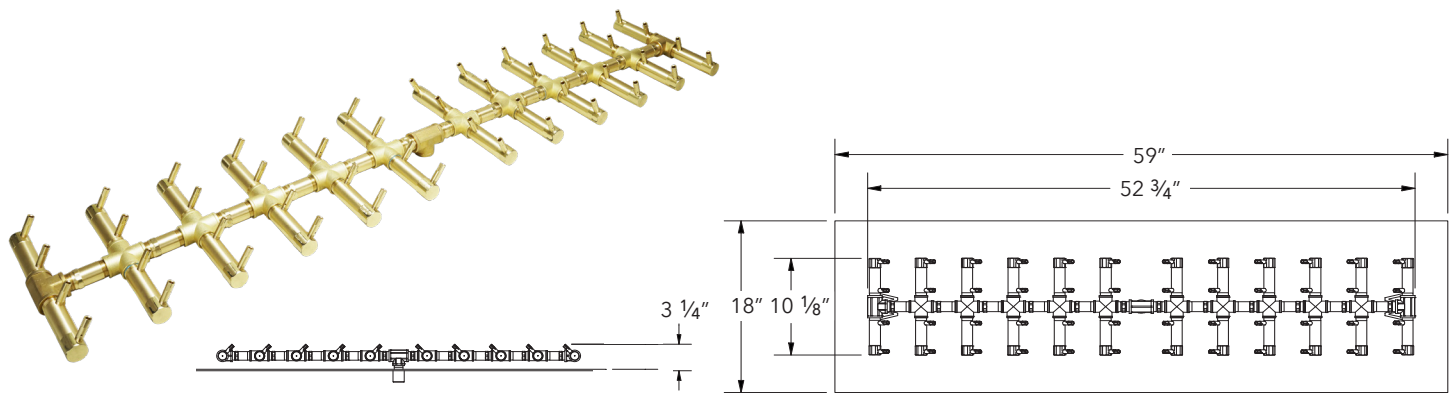
SKU (NG OR LP)	DESCRIPTION	SHIP WEIGHT	SHIP METHOD
CFBDT320NG CFBDT320LP	320K BTU Double Tree-Style Brass Burner	18 lbs	SHIPS PARCEL
Recommended parts - Plate: ALPL4118 • FK2 • Optional 6x Support Collars			
CFBDT320NGALPL4118 CFBDT320LPALPL4118	with 41" x 18" Rectangular Plate		SHIPS FREIGHT
CFBDT320NGALPL4118FK2 CFBDT320LPALPL4118FK2	with 41" x 18" Plate + FK2		SHIPS FREIGHT

DOUBLE TREE-STYLE CFBDT400 - For 50" x 18" opening or larger



SKU (NG OR LP)	DESCRIPTION	SHIP WEIGHT	SHIP METHOD
CFBDT400NG CFBDT400LP	400K BTU Double Tree-Style Brass Burner	22 lbs	SHIPS PARCEL
Recommended parts - Plate: ALPL5018 • FK2 • Optional 7x Support Collars			
CFBDT400NGALPL5018 CFBDT400LPALPL5018	with 50" x 18" Rectangular Plate		SHIPS FREIGHT
CFBDT400NGALPL5018FK2 CFBDT400LPALPL5018FK2	with 50" x 18" Plate + FK2		SHIPS FREIGHT

DOUBLE TREE-STYLE CFBDT480 - For 59" x 18" opening or larger



SKU (NG OR LP)	DESCRIPTION	SHIP WEIGHT	SHIP METHOD
CFBDT480NG CFBDT480LP	480K BTU Double Tree-Style Brass Burner	27 lbs	SHIPS PARCEL
Recommended parts - Plate: ALPL5918 • FK2 • Optional 7x Support Collars			
CFBDT480NGALPL5918 CFBDT480LPALPL5918	with 59" x 18" Rectangular Plate		SHIPS FREIGHT
CFBDT480NGALPL5918FK2 CFBDT480LPALPL5918FK2	with 59" x 18" Plate + FK2		SHIPS FREIGHT

PARADISE **FOUND.**





READY-TO-FINISH KITS

Aluminum frames covered with concrete board are ready to be easily and quickly completed with your choice of stone or veneer.

Simply place on site, connect to the gas supply, add stone or other veneer, and your fire feature is complete.

Need a different size, custom shape, or have BTU questions?

Whatever your question, our team is happy to help. Call our Flame Specialists at (303) 346-2224.

SQUARE READY-TO-FINISH KITS

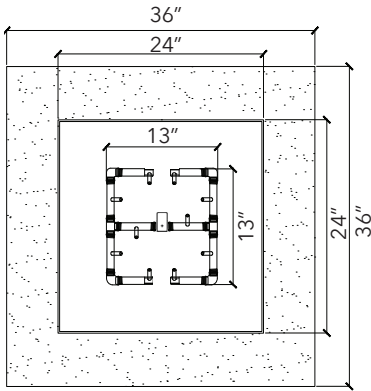
TECH TIP

Ready-to-Finish Kits come with a Fire Pit Vent Kit (FPVK), but they do not come pre-installed as placement and installation depends on veneer. Vents are to be installed by contractor on site.

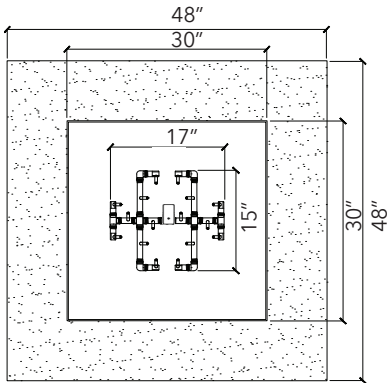


FS3636 shown

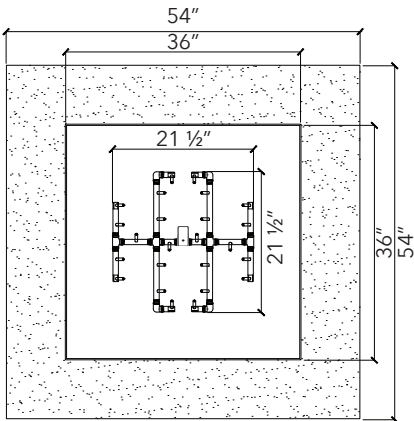
SEE PAGE 57 FOR AVAILABLE COMPATIBLE IGNITION SYSTEMS



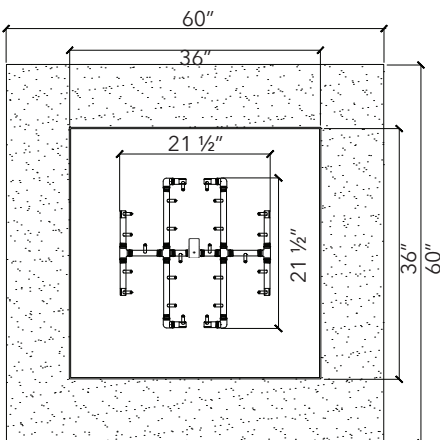
FS3636NG FS3636LP	
<p>36" x 36" W x 18" H Aluminum Frame with Concrete Board Attached CFB120 Original Brass Burner + WATERSTOP 24" Aluminum Pan with 2" Sidewalls Fire Pit Vent Kit FK1 4" Key Valve Extension Ignition Systems Sold Separately: Push Button, 3 Volt, Mercury, Platinum, 24 Volt Spark</p>	SHIPS FREIGHT



FS4848NG FS4848LP	
<p>48" x 48" W x 18" H Aluminum Frame with Concrete Board Attached CFB180 Original Brass Burner + WATERSTOP 30" Aluminum Pan with 2" Sidewalls Fire Pit Vent Kit FK1 4" Key Valve Extension Ignition Systems Sold Separately: Push Button, Mercury, Platinum, 24 Volt Spark</p>	SHIPS FREIGHT

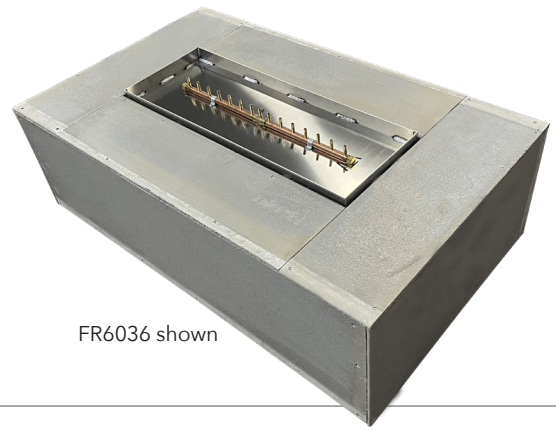


FS5454NG FS5454LP	
<p>54" x 54" W x 18" H Aluminum Frame with Concrete Board Attached CFB290 Original Brass Burner + WATERSTOP 36" Aluminum Pan with 2" Sidewalls Fire Pit Vent Kit FK2 4" Key Valve Extension Ignition Systems Sold Separately: Push Button, Mercury, Platinum, 24 Volt Spark</p>	SHIPS FREIGHT



FS6060NG FS6060LP	
<p>60" x 60" W x 18" H Aluminum Frame with Concrete Board Attached CFB290 Original Brass Burner + WATERSTOP 42" Aluminum Pan with 2" Sidewalls Fire Pit Vent Kit FK2 4" Key Valve Extension Ignition Systems Sold Separately: Push Button, Mercury, Platinum, 24 Volt Spark</p>	SHIPS FREIGHT

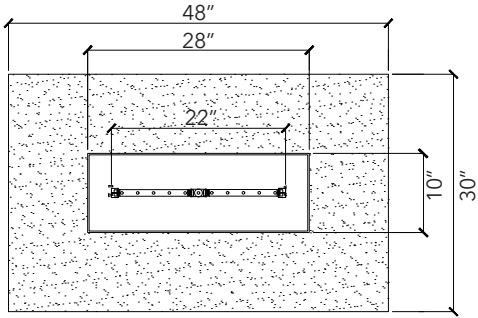
RECTANGULAR LINEAR READY-TO-FINISH KITS



FR6036 shown

TECH TIP

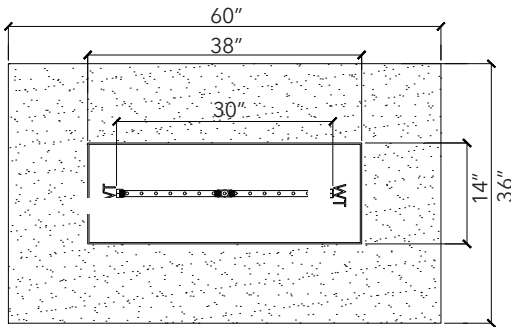
Ready-to-Finish Kits come with a Fire Pit Vent Kit (FPVK) but they do not come pre-installed as placement and installation depends on veneer. Vents are to be installed by contractor on site.



FR4830NG | FR4830LP

48" L x 30" W x 18" H Aluminum Frame with Concrete Board Attached
 CFBL110 22" Linear Brass Burner
 28" x 10" Aluminum Pan with 2" Sidewalls
 Fire Feature Vent Kit
 FK1
 4" Key Valve Extension
 Ignition Systems Sold Separately: Push Button, 3 Volt, Mercury, Platinum, 24 Volt Spark

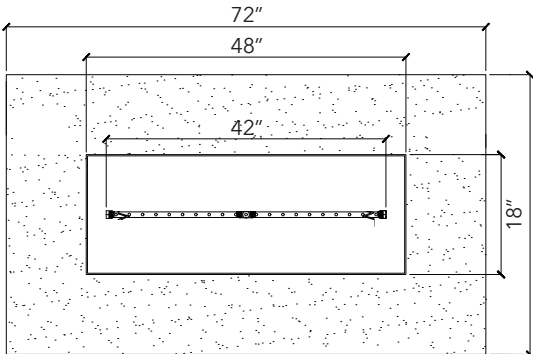
SHIPS FREIGHT



FR6036NG | FR6036LP

60" L x 36" W x 18" H Aluminum Frame with Concrete Board Attached
 CFBL150 30" Linear Brass Burner
 38" x 14" Aluminum Pan with 2" Sidewalls
 Fire Feature Vent Kit
 FK1
 4" Key Valve Extension
 Ignition Systems Sold Separately: Push Button, Mercury, Platinum, 24 Volt Spark

SHIPS FREIGHT



FR7242NG | FR7242LP

72" L x 42" W x 18" H Aluminum Frame with Concrete Board Attached
 CFBL210 42" Linear Brass Burner
 48" x 18" Aluminum Pan with 2" Sidewalls
 Fire Pit Vent Kit
 FK1
 4" Key Valve Extension
 Ignition Systems Sold Separately: Push Button, Mercury, Platinum, 24 Volt Spark

SHIPS FREIGHT

FIRESTORM® STEEL LOG

Handcrafted, one-of-a-kind steel gas log features an integrated linear burner and is sized perfectly for the FR6036 Rectangular Ready-to-Finish Kit.

Custom designs and sizes available.

See page 68 for more information or call us at (303) 346-2224.



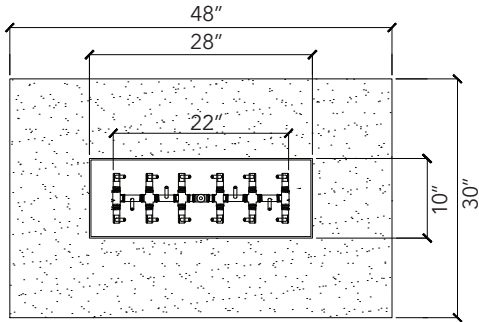
RECTANGULAR TREE-STYLE READY-TO-FINISH KITS



FRT6036 shown

TECH TIP

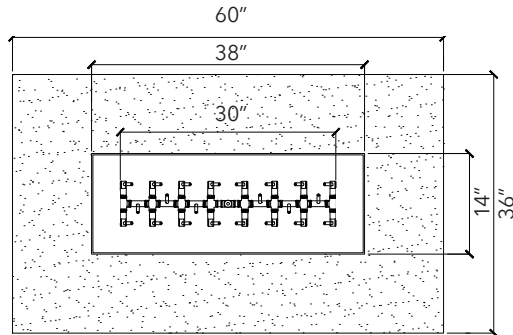
Ready-to-Finish Kits come with a Fire Pit Vent Kit (FPVK) but they do not come pre-installed as placement and installation depends on veneer. Vents are to be installed by contractor on site.



FRT4830NG | FRT4830LP

48" L x 30" W x 18" H Aluminum Frame with Concrete Board Attached
 CFBT170 Tree-Style Brass Burner
 28" x 10" Aluminum Pan with 2" Sidewalls
 Fire Feature Vent Kit
 FK1
 4" Key Valve Extension
 Ignition Systems Sold Separately: Push Button, Mercury, Platinum, 24 Volt Spark

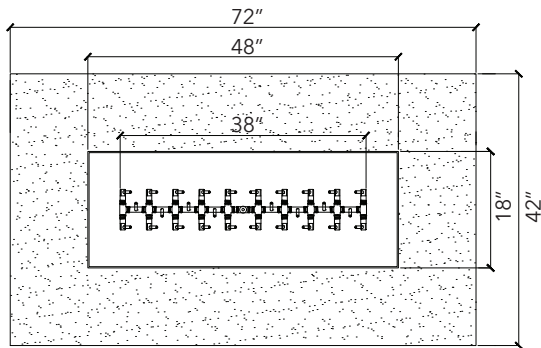
SHIPS FREIGHT



FRT6036NG | FRT6036LP

60" L x 36" W x 18" H Aluminum Frame with Concrete Board Attached
 CFBT230 Tree-Style Brass Burner
 38" x 14" Aluminum Pan with 2" Sidewalls
 Fire Pit Vent Kit
 FK1
 4" Key Valve Extension
 Ignition Systems Sold Separately: Push Button, Mercury, Platinum, 24 Volt Spark

SHIPS FREIGHT



FRT7242NG | FRT7242LP

72" L x 42" W x 18" H Aluminum Frame with Concrete Board Attached
 CFBT290 Tree-Style Brass Burner
 48" x 18" Aluminum Pan with 2" Sidewalls
 Fire Pit Vent Kit
 FK2
 4" Key Valve Extension
 Ignition Systems Sold Separately: Push Button, Mercury, Platinum, 24 Volt Spark

SHIPS FREIGHT



CUSTOM READY-TO-FINISH KITS

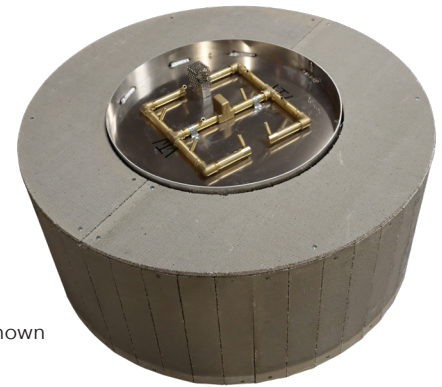
A Custom Fire Feature to Match Your Custom Design.

Let us create the perfect custom feature for you. We'd love to help. (303) 346-2224

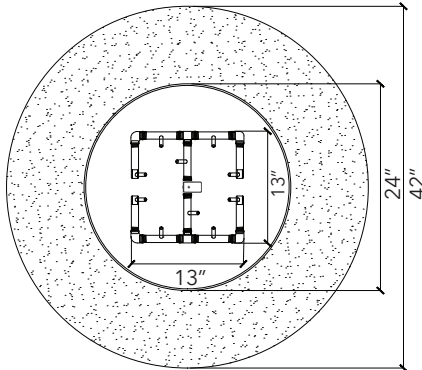
CIRCULAR READY-TO-FINISH KITS

TECH TIP

Ready-to-Finish Kits come with a Fire Pit Vent Kit (FPVK) but they do not come pre-installed as placement and installation depends on veneer. Vents are to be installed by contractor on site.



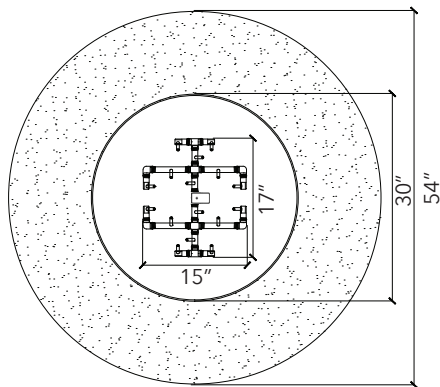
FC42 shown



FC42NG | FC42LP

42" W x 18" H Aluminum Frame with Concrete Board Attached
 CFB120 Original Brass Burner + **WATERSTOP**
 24" Aluminum Pan with 2" Sidewalls
 Fire Pit Vent Kit
 FK1
 4" Key Valve Extension
 Ignition Systems Sold Separately: Push Button, 3 Volt, Mercury, Platinum, 24 Volt Spark

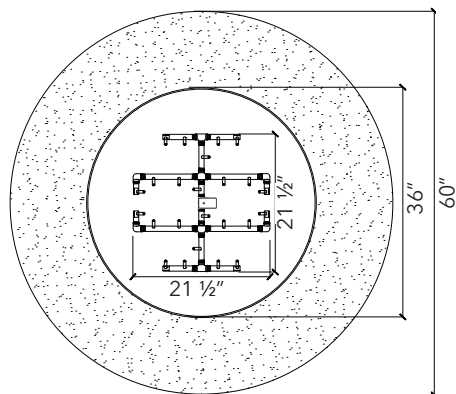
SHIPS FREIGHT



FC54NG | FC54LP

54" W x 18" H Aluminum Frame with Concrete Board Attached
 CFB180 Original Brass Burner + **WATERSTOP**
 30" Aluminum Pan with 2" Sidewalls
 Fire Pit Vent Kit
 FK1
 4" Key Valve Extension
 Ignition Systems Sold Separately: Push Button, Mercury, Platinum, 24 Volt Spark

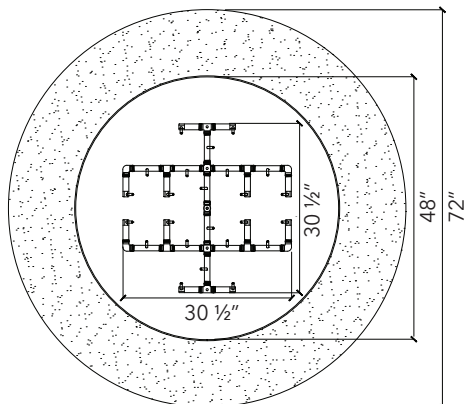
SHIPS FREIGHT



FC60NG | FC60LP

60" W x 18" H Aluminum Frame with Concrete Board Attached
 CFB290 Original Brass Burner + **WATERSTOP**
 36" Aluminum Pan with 2" Sidewalls
 Fire Pit Vent Kit
 FK2
 4" Key Valve Extension
 Ignition Systems Sold Separately: Push Button, Mercury, Platinum, 24 Volt Spark

SHIPS FREIGHT



FC72NG | FC72LP

72" W x 18" H Aluminum Frame with Concrete Board Attached
 CFB350 Original Brass Burner
 48" Aluminum Pan with 2" Sidewalls
 Fire Pit Vent Kit
 FK2
 4" Key Valve Extension
 Ignition Systems Sold Separately: Mercury, Platinum, 24 Volt Spark

SHIPS FREIGHT



IF YOU CAN **DREAM IT,**
WE CAN **MAKE IT.**

The sky's the limit - let us create your custom fire feature.



GAS INSERT KITS FOR PAVER FIRE FEATURES

Warming Trends makes it easy to install or convert a paver fire feature to gas with our Gas Insert Kits. Each Kit includes the CROSSFIRE® Brass Burner which utilizes cutting-edge jet technology to produce a taller, brighter, and more natural flame - all while consuming less gas.

Warming Trends Universal and Specialized Gas Insert Kits are designed to work with a variety of paver company block kits, including everything you need to convert your paver fire feature.

Need a different size, custom shape, or have BTU questions?

Whatever your question, our team is happy to help. Call our Flame Specialists at (303) 346-2224.

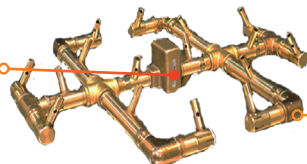
Easily and quickly convert your paver fire feature to gas with a Warming Trends Gas Insert Kit.

Included in each kit:

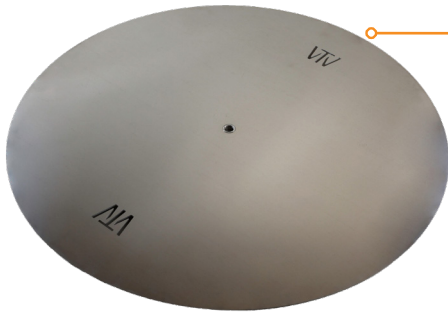
- CROSSFIRE® Brass Burner with WATERSTOP™ Fitting
- Aluminum Plate
- Flex Line Kit
- Key Valve Kit
- Flexible Metal Support Collars and Tapcon screws (Works with new or existing fire pit)

Select the Warming Trends Gas Insert Kit that matches the interior dimensions of your fire feature.

The Revolutionary WATERSTOP® fitting protects electronics and valves from water and debris.



CROSSFIRE® Brass Burner



Aluminum Plate



Whistle-free Flex Line Kit



Flexible Metal Support Collar

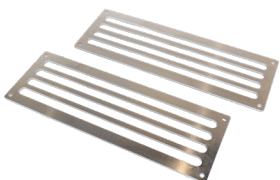
KIT DOES NOT INCLUDE VENTS. (18 sq inches of ventilation is required on opposing sides of the fire feature.)

KIT DOES NOT INCLUDE STONE/ENCLOSURE.

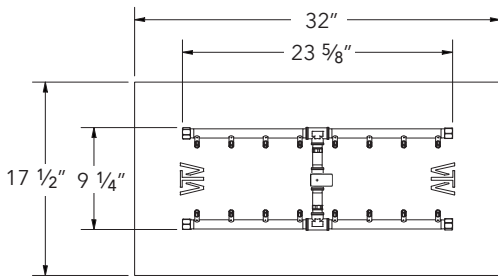
Collars provide support for the aluminum plate and allow a range of plate sizes to be used, adding up to 3" to the plate size.

See page 66 for available collar options.

FIRE PIT VENT KIT



FPVK	Fire Pit Vent Kit: (2) 3 7/8"x 12" Vents + 18 sq inches of Vent Area per Unit	2 lbs	SHIPS PARCEL
------	---	-------	--------------

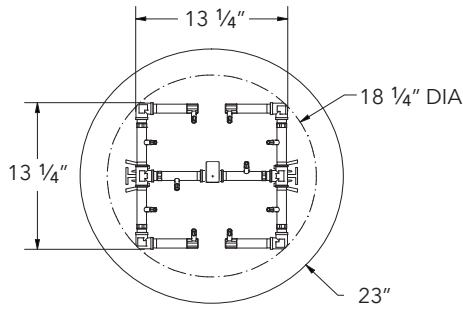


32" x 17 1/2" to 35" x 20 1/2" RECTANGULAR OPENING

UPK160H3217NG | UPK160H3217LP

CFBH160 H-Style Brass Burner + WATERSTOP
 32" x 17 1/2" Rectangular Aluminum Plate
 FK1
 8" Key Valve Extension
 (5) Collars
 Ignition Systems Sold Separately: Push Button, Mercury,
 Platinum, 24 Volt Spark

18 lbs
 SHIPS PARCEL

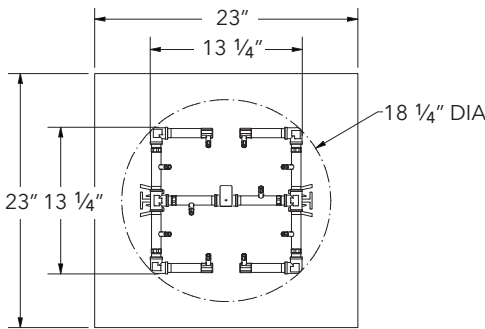


23"- 26" CIRCULAR OPENING

UPK120C23NG | UPK120C23LP

CFB120 Original Brass Burner + WATERSTOP
 23" Circular Aluminum Plate
 FK1
 8" Key Valve Extension
 (4) Collars
 Ignition Systems Sold Separately: Push Button, 3 Volt, Mercury,
 Platinum, 24 Volt Spark

28 lbs
 SHIPS PARCEL

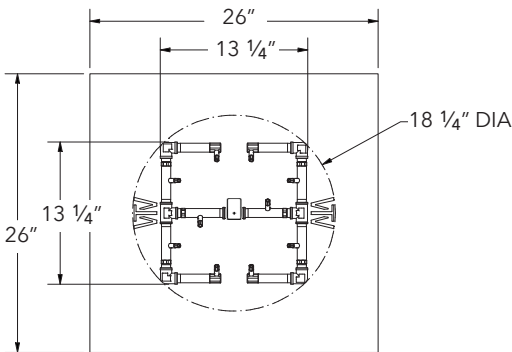


23"- 26" SQUARE OPENING

UPK120S23NG | UPK120S23LP

CFB120 Original Brass Burner + WATERSTOP
 23" Square Aluminum Plate
 FK1
 8" Key Valve Extension
 (4) Collars
 Ignition Systems Sold Separately: Push Button, 3 Volt, Mercury,
 Platinum, 24 Volt Spark

30 lbs
 SHIPS PARCEL

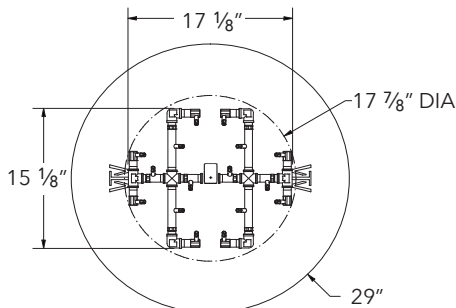


26"- 29" CIRCULAR OR SQUARE OPENING

UPK120S26NG | UPK120S26LP

CFB120 Original Brass Burner + WATERSTOP
 26" Square Aluminum Plate
 FK1
 8" Key Valve Extension
 (4) Collars
 Ignition Systems Sold Separately: Push Button, 3 Volt, Mercury,
 Platinum, 24 Volt Spark

32 lbs
 SHIPS PARCEL

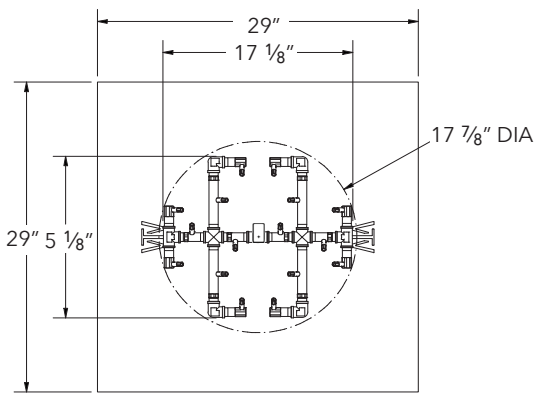


29"- 32" CIRCULAR OPENING

UPK180C29NG | UPK180C29LP

CFB180 Original Brass Burner + WATERSTOP
 29" Circular Aluminum Plate
 FK1
 8" Key Valve Extension
 (5) Collars
 Ignition Systems Sold Separately: Push Button, Mercury,
 Platinum, 24 Volt Spark

33 lbs
 SHIPS PARCEL

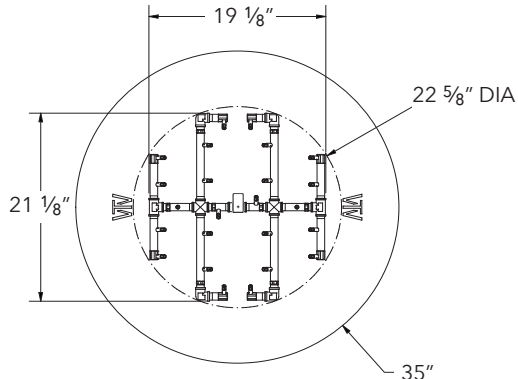


29"-32" SQUARE OPENING

UPK180S29NG | UPK180S29LP

CFB180 Original Brass Burner + WATERSTOP
 29" Square Aluminum Plate
 FK1
 8" Key Valve Extension
 (5) Collars
 Ignition Systems Sold Separately: Push Button, Mercury, Platinum, 24 Volt Spark

34 lbs
 SHIPS PARCEL

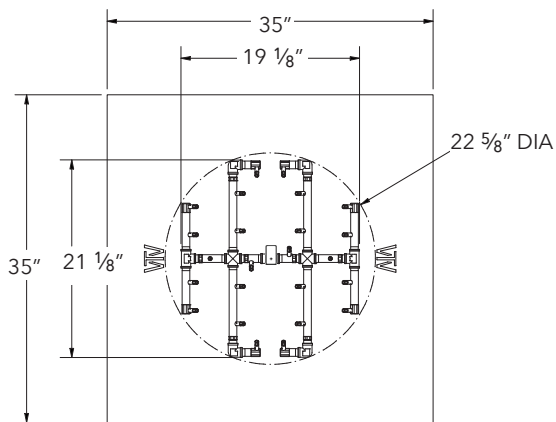


35"-38" CIRCULAR OPENING

UPK240C35NG | UPK240C35LP

CFB240 Original Brass Burner + WATERSTOP
 35" Circular Aluminum Plate
 FK1
 8" Key Valve Extension
 (6) Collars
 Ignition Systems Sold Separately: Push Button, Mercury, Platinum, 24 Volt Spark

41 lbs
 SHIPS PARCEL

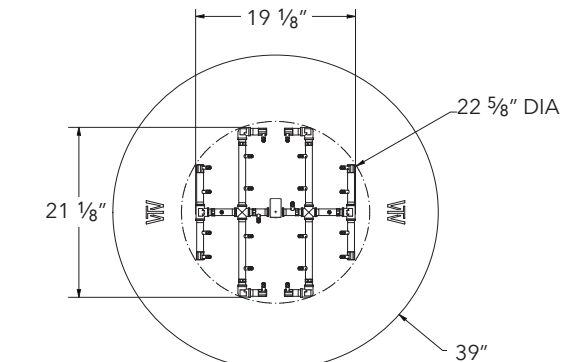


35"-38" SQUARE OPENING

UPK240S35NG | UPK240S35LP

CFB240 Original Brass Burner + WATERSTOP
 35" Square Aluminum Plate
 FK1
 8" Key Valve Extension
 (6) Collars
 Ignition Systems Sold Separately: Push Button, Mercury, Platinum, 24 Volt Spark

47 lbs
 SHIPS PARCEL

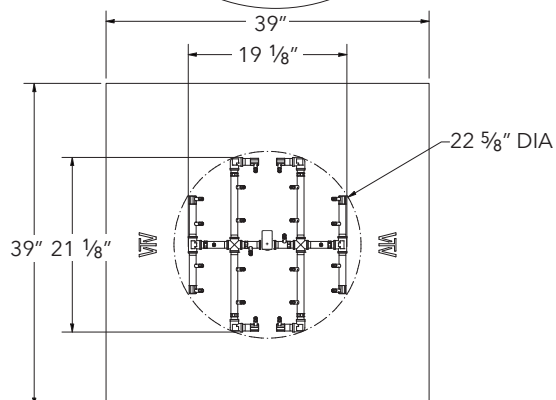


39"-42" CIRCULAR OPENING

UPK240C39NG | UPK240C39LP

CFB240 Original Brass Burner + WATERSTOP
 39" Circular Aluminum Plate
 FK1
 8" Key Valve Extension
 (7) Collars
 Ignition Systems Sold Separately: Push Button, Mercury, Platinum, 24 Volt Spark

SHIPS FREIGHT



39"-42" SQUARE OPENING

UPK240S39NG | UPK240S39LP

CFB240 Original Brass Burner + WATERSTOP
 39" Square Aluminum Plate
 FK1
 8" Key Valve Extension
 (7) Collars
 Ignition Systems Sold Separately: Push Button, Mercury, Platinum, 24 Volt Spark

SHIPS FREIGHT

GAS INSERT KITS FOR SPECIALIZED PAVER FIRE PITS

NEW PRODUCT!



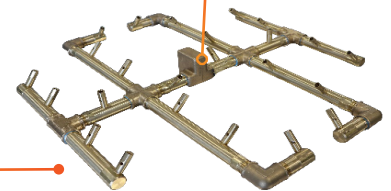
See page 57 for available ignition options.

The All-New Specialized Gas Insert Kits fit top-selling paver fire pit brands and are easier to install than ever before! The Mounting Brackets and Collars have been re-engineered to eliminate the need for a drill to install. Each kit includes all components needed to create an exceptional fire feature including the patented CROSSFIRE® burner, aluminum plate, no-drill collars, specifically-sized vents, mounting bracket which replaces a block while still offering support to the blocks above, and a Flex Line/Key Valve Kit.

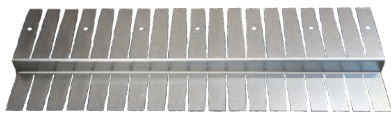
Included in each kit:

- CROSSFIRE Brass Burner with WATERSTOP™ Fitting
- Aluminum Plate
- Flex Line / Key Valve Kit
- Flexible, No-Drill Collars - NEW
- Vents (2) - NEW
- Mounting Bracket - NEW

The patent-pending WATERSTOP fitting provides unmatched protection for electronics and valves from water and debris.



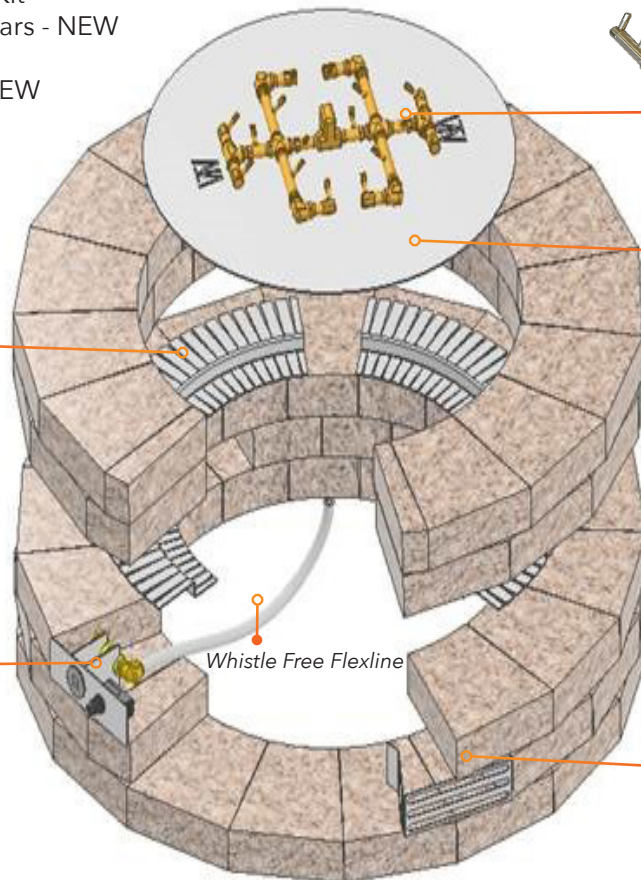
CROSSFIRE Brass Burner



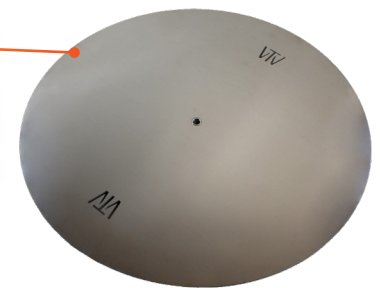
Flexible, No-Drill Collar
(Install between courses of block)



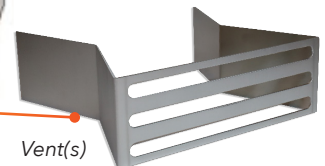
Key Valve / Mounting Bracket
(Replaces one block and provides support for next course of block)



Whistle Free Flexline



Aluminum Plate



Vent(s)
(Vents replace one block and provide support for the next course of block)

WESTON PAVER KIT

UPKBWLP	CFB240LP Original Brass Burner + WATERSTOP™, 39" Circular Aluminum Plate, ¾" Flex Line / Key Valve Kit, 11 ⅜" x 4" BW Mounting Bracket, (6) Flexible, No Drill Collars, (2) 11 ⅜" x 4" Vents Ignition Systems Sold Separately: Push Button, Mercury, Platinum, 24 Volt Spark	110 lbs	SHIPS FREIGHT
UPKBWNG	CFB240NG Original Brass Burner + WATERSTOP, 39" Circular Aluminum Plate, ¾" Flex Line / Key Valve Kit, 11 ⅜" x 4" BW Mounting Bracket, (6) Flexible, No Drill Collars, (2) 11 ⅜" x 4" Vents Ignition Systems Sold Separately: Push Button, Mercury, Platinum, 24 Volt Spark	110 lbs	SHIPS FREIGHT

VALENCIA PAVER KIT

UPKVLLP	CFB180LP Original Brass Burner + WATERSTOP, 29" Circular Aluminum Plate, ¾" Flex Line / Key Valve Kit, VL Mounting Bracket, (5) Flexible, No Drill Collars, (2) 9 ¼" x 3" Vents Ignition Systems Sold Separately: Push Button, Mercury, Platinum, 24 Volt Spark	38 lbs	SHIPS PARCEL
UPKVLNG	CFB180NG Original Brass Burner + WATERSTOP, 29" Circular Aluminum Plate, ¾" Flex Line Kit, VL Mounting Bracket, (5) Flexible, No Drill Collars, (2) 9 ¼" x 3" Vents Ignition Systems Sold Separately: Push Button, Mercury, Platinum, 24 Volt Spark	38 lbs	SHIPS PARCEL

BRANDON PAVER KIT

UPKBSLP	CFB180LP Original Brass Burner + WATERSTOP, 27 ¼" Square Aluminum Plate, ¾" Flex Line / Key Valve Kit, 14" x 3 ½" Mounting Bracket, (6) Flexible, No Drill Collars, (2) 14" x 3 ½" Vents Ignition Systems Sold Separately: Push Button, Mercury, Platinum, 24 Volt Spark	30 lbs	SHIPS PARCEL
UPKBSNG	CFB180NG Original Brass Burner + WATERSTOP, 27 ¼" Square Aluminum Plate, ¾" Flex Line / Key Valve Kit, 14" x 3 ½" Mounting Bracket, (6) Flexible, No Drill Collars, (2) 14" x 3 ½" Vents Ignition Systems Sold Separately: Push Button, Mercury, Platinum, 24 Volt Spark	30 lbs	SHIPS PARCEL

RAFFINATO PAVER KIT

UPKRRLP	CFBH160LP H-Style Brass Burner + WATERSTOP, 32" x 17 ¾" Rectangular Aluminum Plate, ¾" Flex Line / Key Valve Kit, 14" x 3 ½" Mounting Bracket, (5) Flexible, No Drill Collars, (2) 14" x 3 ½" Vents Ignition Systems Sold Separately: Push Button, Mercury, Platinum, 24 Volt Spark	30 lbs	SHIPS PARCEL
UPKR RNG	CFBH160NG H-Style Brass Burner + WATERSTOP, 32" x 17 ¾" Rectangular Aluminum Plate, ¾" Flex Line / Key Valve Kit, 14" x 3 ½" Mounting Bracket, (5) Flexible, No Drill Collars, (2) 14" x 3 ½" Vents Ignition Systems Sold Separately: Push Button, Mercury, Platinum, 24 Volt Spark	30 lbs	SHIPS PARCEL

PRESCOTT PAVER KIT

UPKPSLP	CFB180LP Original Brass Burner + WATERSTOP, 27 ¼" Square Aluminum Plate, ¾" Flex Line / Key Valve Kit, 9" x 4 ½" Mounting Bracket, (6) Flexible, No Drill Collars, (2) 9" x 4 ½" Vents Ignition Systems Sold Separately: Push Button, Mercury, Platinum, 24 Volt Spark	38 lbs	SHIPS PARCEL
UPKPSNG	CFB180LP Original Brass Burner + WATERSTOP, 27 ¼" Square Aluminum Plate, ¾" Flex Line / Key Valve Kit, 9" x 4 ½" Mounting Bracket, (6) Flexible, No Drill Collars, (2) 9" x 4 ½" Vents Ignition Systems Sold Separately: Push Button, Mercury, Platinum, 24 Volt Spark	38 lbs	SHIPS PARCEL

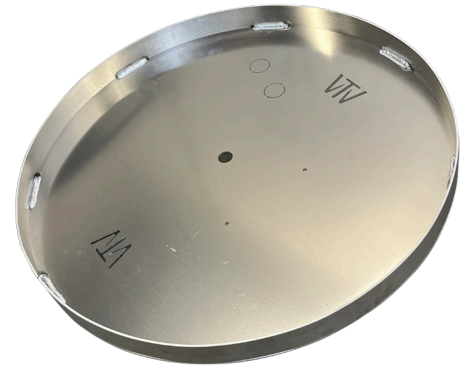
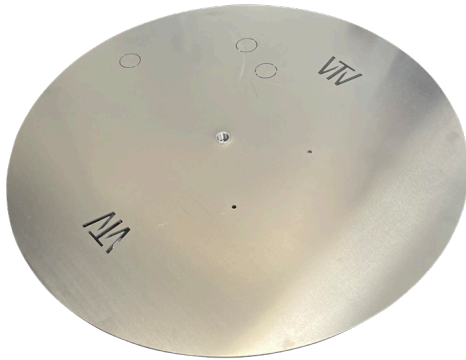
CREATE YOUR
PERFECT NIGHT.



PLATES, PANS, AND COVERS

Precision cut from aluminum using state-of-the-art technology, Warming Trends plates and pans are corrosion resistant and include drainage vents.

CIRCULAR PLATES AND PANS



Plates

SKU	DESCRIPTION	SHIP WEIGHT + METHOD	
ALPL18C	18" Circular	6 lbs	SHIPS PARCEL
ALPL24C	24" Circular	8 lbs	SHIPS PARCEL
ALPL30C	30" Circular	11 lbs	SHIPS PARCEL
ALPL36C	36" Circular	16 lbs	SHIPS PARCEL
ALPL42C	42" Circular	SHIPS FREIGHT	
ALPL48C	48" Circular	SHIPS FREIGHT	
ALPL60C	60" Circular	SHIPS FREIGHT	
ALPL12-17C	12" - 17" Circular	5 lbs	SHIPS PARCEL
ALPL19-23C	19" - 23" Circular	8 lbs	SHIPS PARCEL
ALPL25-29C	25" - 29" Circular	11 lbs	SHIPS PARCEL
ALPL31-35C	31" - 35" Circular	15 lbs	SHIPS PARCEL
ALPL37-41C	37" - 41" Circular	SHIPS FREIGHT	
ALPL43-47C	43" - 47" Circular	SHIPS FREIGHT	
ALPL49-59C	49" - 59" Circular	SHIPS FREIGHT	
ALPL61-66C	61" - 66" Circular	SHIPS FREIGHT	
ALPL67-72C	67" - 72" Circular	SHIPS FREIGHT	
ALPL73-80C	73" - 80" Circular	SHIPS FREIGHT	
ALPLCUST	Aluminium plate customized to any shape or size	Call for Quote	

Pans (Pans include 2" welded sidewall)

SKU	DESCRIPTION	SHIP WEIGHT + METHOD	
ALPAN18C	18" Circular	7 lbs	SHIPS PARCEL
ALPAN24C	24" Circular	9 lbs	SHIPS PARCEL
ALPAN30C	30" Circular	12 lbs	SHIPS PARCEL
ALPAN36C	36" Circular	16 lbs	SHIPS PARCEL
ALPAN42C	42" Circular	SHIPS FREIGHT	
ALPAN48C	48" Circular	SHIPS FREIGHT	
ALPAN60C	60" Circular	SHIPS FREIGHT	
ALPAN12-17C	12" - 17" Circular	6 lbs	SHIPS PARCEL
ALPAN19-23C	19" - 23" Circular	9 lbs	SHIPS PARCEL
ALPAN25-29C	25" - 29" Circular	12 lbs	SHIPS PARCEL
ALPAN31-35C	31" - 35" Circular	16 lbs	SHIPS PARCEL
ALPAN37-41C	37" - 41" Circular	SHIPS FREIGHT	
ALPAN43-47C	43" - 47" Circular	SHIPS FREIGHT	
ALPAN49-59C	49" - 59" Circular	SHIPS FREIGHT	
ALPANCUST	Aluminium pan customized to any shape or size	Call for Quote	

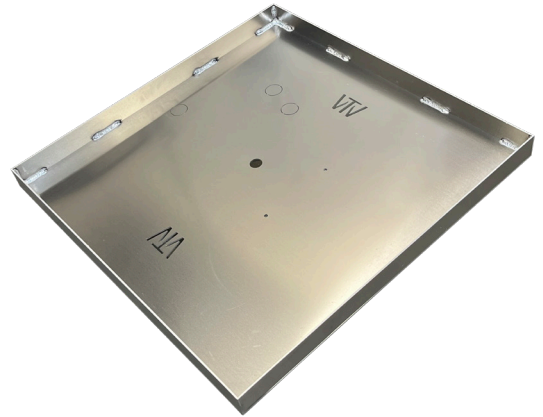
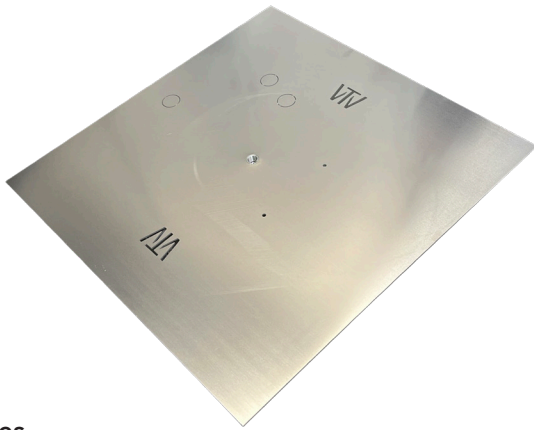
TECH TIP

Plate/pan should be sized slightly smaller than the measurement of the opening. This allows easier installation and removal for service.

Knockouts are provided for standard plates, pans, and covers up to 36".



SQUARE PLATES AND PANS



Plates

SKU	DESCRIPTION	SHIP WEIGHT + METHOD	
ALPL18S	18" Square	7 lbs	SHIPS PARCEL
ALPL24S	24" Square	10 lbs	SHIPS PARCEL
ALPL30S	30" Square	14 lbs	SHIPS PARCEL
ALPL36S	36" Square	19 lbs	SHIPS PARCEL
ALPL42S	42" Square	SHIPS FREIGHT	
ALPL48S	48" Square	SHIPS FREIGHT	
ALPL60S	60" Square	SHIPS FREIGHT	
ALPL12-17S	12" - 17" Square	6 lbs	SHIPS PARCEL
ALPL19-23S	19" - 23" Square	9 lbs	SHIPS PARCEL
ALPL25-29S	25" - 29" Square	14 lbs	SHIPS PARCEL
ALPL31-35S	31" - 35" Square	18 lbs	SHIPS PARCEL
ALPL37-41S	37" - 41" Square	SHIPS FREIGHT	
ALPL43-47S	43" - 47" Square	SHIPS FREIGHT	
ALPL49-59S	49" - 59" Square	SHIPS FREIGHT	
ALPL61-66S	61" - 66" Square	SHIPS FREIGHT	
ALPL67-72S	67" - 72" Square	SHIPS FREIGHT	
ALPL73-80S	73" - 80" Square	SHIPS FREIGHT	
ALPLCUST	Aluminium plate customized to any shape or size	Call for Quote	

Pans (Pans include 2" welded sidewall)

SKU	DESCRIPTION	SHIP WEIGHT + METHOD	
ALPAN18S	18" Square	6 lbs	SHIPS PARCEL
ALPAN24S	24" Square	10 lbs	SHIPS PARCEL
ALPAN30S	30" Square	15 lbs	SHIPS PARCEL
ALPAN36S	36" Square	19 lbs	SHIPS PARCEL
ALPAN42S	42" Square	SHIPS FREIGHT	
ALPAN48S	48" Square	SHIPS FREIGHT	
ALPAN60S	60" Square	SHIPS FREIGHT	
ALPAN12-17S	12" - 17" Square	5 lbs	SHIPS PARCEL
ALPAN19-23S	19" - 23" Square	10 lbs	SHIPS PARCEL
ALPAN25-29S	25" - 29" Square	14 lbs	SHIPS PARCEL
ALPAN31-35S	31" - 35" Square	19 lbs	SHIPS PARCEL
ALPAN37-41S	37" - 41" Square	SHIPS FREIGHT	
ALPAN43-47S	43" - 47" Square	SHIPS FREIGHT	
ALPAN49-59S	49" - 59" Square	SHIPS FREIGHT	
ALPANCUST	Aluminium pan customized to any shape or size	Call for Quote	

RECTANGULAR PLATES - FIXED SIZES

SKU	DESCRIPTION	SHIP WEIGHT + METHOD	
ALPL2011	20" X 11" Rectangular Aluminum Plate	3 lbs	SHIPS PARCEL
ALPL2217	22" X 17" Rectangular Aluminum Plate	5 lbs	SHIPS PARCEL
ALPL266	26" X 6" Rectangular Aluminum Plate	3 lbs	SHIPS PARCEL
ALPL2811	28" X 11" Rectangular Aluminum Plate	5 lbs	SHIPS PARCEL
ALPL2815	28" X 15" Rectangular Aluminum Plate	6 lbs	SHIPS PARCEL
ALPL2917	29" X 17" Rectangular Aluminum Plate	7 lbs	SHIPS PARCEL
ALPL328	32" X 8" Rectangular Aluminum Plate	4 lbs	SHIPS PARCEL
ALPL3417	34" X 17" Rectangular Aluminum Plate	8 lbs	SHIPS PARCEL
ALPL3611	36" X 11" Rectangular Aluminum Plate	5 lbs	SHIPS PARCEL
ALPL388	38" X 8" Rectangular Aluminum Plate	4 lbs	SHIPS PARCEL
ALPL4017	40" X 17" Rectangular Aluminum Plate	9 lbs	SHIPS PARCEL
ALPL408	40" X 8" Rectangular Aluminum Plate	5 lbs	SHIPS PARCEL
ALPL4118	41" X 18" Rectangular Aluminum Plate	15 lbs	SHIPS PARCEL
ALPL4414	44" X 14" Rectangular Aluminum Plate	6 lbs	SHIPS PARCEL
ALPL448	44" X 8" Rectangular Aluminum Plate	8 lbs	SHIPS PARCEL
ALPL4617	46" X 17" Rectangular Aluminum Plate	16 lbs	SHIPS PARCEL
ALPL5010	50" X 10" Rectangular Aluminum Plate	10 lbs	SHIPS PARCEL
ALPL5018	50" X 18" Rectangular Aluminum Plate	18 lbs	SHIPS PARCEL
ALPL5610	56" X 10" Rectangular Aluminum Plate	12 lbs	SHIPS PARCEL
ALPL5625	56" X 25" Rectangular Aluminum Plate	SHIPS FREIGHT	
ALPL5814	58" X 14" Rectangular Aluminum Plate	17 lbs	SHIPS PARCEL
ALPL5918	59" X 18" Rectangular Aluminum Plate	22 lbs	SHIPS PARCEL
ALPL6215	62" X 15" Rectangular Aluminum Plate	SHIPS FREIGHT	
ALPL6225	62" X 25" Rectangular Aluminum Plate	SHIPS FREIGHT	
ALPL6614	66" X 14" Rectangular Aluminum Plate	SHIPS FREIGHT	
ALPL7414	74" X 14" Rectangular Aluminum Plate	SHIPS FREIGHT	

RECTANGULAR PLATES - RANGE OPTIONS

SKU	DESCRIPTION	
	Length	Width
PLR2312	18" - 23.9"	6" - 12.9"
PLR2912	24" - 29.9"	6" - 12.9"
PLR3512	30" - 35.9"	6" - 12.9"
PLR4112	36" - 41.9"	6" - 12.9"
PLR4712	42" - 47.9"	6" - 12.9"
PLR5312	48" - 53.9"	6" - 12.9"
PLR6112	54" - 61.9"	6" - 12.9"
PLR6712	62" - 67.9"	6" - 12.9"
PLR7312	68" - 73.9"	6" - 12.9"
PLR7912	74" - 79.9"	6" - 12.9"
PLR8512	80" - 85.9"	6" - 12.9"
PLR9112	86" - 91.9"	6" - 12.9"
PLR9712	92" - 97.9"	6" - 12.9"
PLR10312	98" - 103.9"	6" - 12.9"
PLR10912	104" - 109.9"	6" - 12.9"
PLR11512	110" - 115.9"	6" - 12.9"
PLR12012	116" - 120"	6" - 12.9"
PLR2317	18" - 23.9"	13" - 17.9"
PLR2917	24" - 29.9"	13" - 17.9"
PLR3517	30" - 35.9"	13" - 17.9"
PLR4117	36" - 41.9"	13" - 17.9"
PLR4717	42" - 47.9"	13" - 17.9"
PLR5317	48" - 53.9"	13" - 17.9"
PLR6117	54" - 61.9"	13" - 17.9"
PLR6717	62" - 67.9"	13" - 17.9"
PLR7317	68" - 73.9"	13" - 17.9"
PLR7917	74" - 79.9"	13" - 17.9"
PLR8517	80" - 85.9"	13" - 17.9"
PLR9117	86" - 91.9"	13" - 17.9"
PLR9717	92" - 97.9"	13" - 17.9"
PLR10317	98" - 103.9"	13" - 17.9"
PLR10917	104" - 109.9"	13" - 17.9"
PLR11517	110" - 115.9"	13" - 17.9"
PLR12017	116" - 120"	13" - 17.9"

Ship Weight and Dimensions vary. Please contact for quote.
Rectangular pans available.

SKU	DESCRIPTION	
	Length	Width
PLR2923	24" - 29.9"	18" - 23.9"
PLR3523	30" - 35.9"	18" - 23.9"
PLR4123	36" - 41.9"	18" - 23.9"
PLR4723	42" - 47.9"	18" - 23.9"
PLR5323	48" - 53.9"	18" - 23.9"
PLR6123	54" - 61.9"	18" - 23.9"
PLR6723	62" - 67.9"	18" - 23.9"
PLR7323	68" - 73.9"	18" - 23.9"
PLR7923	74" - 79.9"	18" - 23.9"
PLR8523	80" - 85.9"	18" - 23.9"
PLR9123	86" - 91.9"	18" - 23.9"
PLR9723	92" - 97.9"	18" - 23.9"
PLR10323	98" - 103.9"	18" - 23.9"
PLR10923	104" - 109.9"	18" - 23.9"
PLR11523	110" - 115.9"	18" - 23.9"
PLR12023	116" - 120"	18" - 23.9"
PLR4129	36" - 41.9"	24" - 29.9"
PLR4729	42" - 47.9"	24" - 29.9"
PLR5329	48" - 53.9"	24" - 29.9"
PLR6129	54" - 61.9"	24" - 29.9"
PLR6729	62" - 67.9"	24" - 29.9"
PLR7329	68" - 73.9"	24" - 29.9"
PLR7929	74" - 79.9"	24" - 29.9"
PLR8529	80" - 85.9"	24" - 29.9"
PLR9129	86" - 91.9"	24" - 29.9"
PLR9729	92" - 97.9"	24" - 29.9"
PLR10329	98" - 103.9"	24" - 29.9"
PLR10929	104" - 109.9"	24" - 29.9"
PLR11529	110" - 115.9"	24" - 29.9"
PLR12029	116" - 120"	24" - 29.9"
PLR4136	37" - 41.9"	30" - 36"
PLR4736	42" - 47.9"	30" - 36"
PLR5336	48" - 53.9"	30" - 36"
PLR6136	54" - 61.9"	30" - 36"
PLR6736	62" - 67.9"	30" - 36"
PLR7336	68" - 73.9"	30" - 36"
PLR7936	74" - 79.9"	30" - 36"
PLR8536	80" - 85.9"	30" - 36"
PLR9136	86" - 91.9"	30" - 36"
PLR9736	92" - 97.9"	30" - 36"
PLR10336	98" - 103.9"	30" - 36"
PLR10936	104" - 109.9"	30" - 36"
PLR11536	110" - 115.9"	30" - 36"
PLR12036	116" - 120"	30" - 36"

CIRCULAR AND SQUARE COVERS

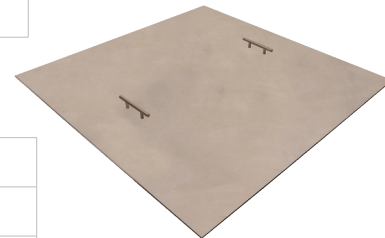


CIRCULAR

SKU	DESCRIPTION	SHIP WEIGHT + METHOD	
FPC20C	20" Circular + 1 handle. For 18" opening	9 lbs	SHIPS PARCEL
FPC26C	26" Circular + 1 handle. For 24" opening	13 lbs	SHIPS PARCEL
FPC32C	32" Circular + 1 handle. For 30" opening	19 lbs	SHIPS PARCEL
FPC38C	38" Circular + 2 handles. For 36" opening	23 lbs	SHIPS PARCEL
FPC44C	44" Circular + 2 handles. For 42" opening	SHIPS FREIGHT	
FPC50C	50" Circular + 2 handles. For 48" opening	SHIPS FREIGHT	
FPC62C	62" Circular + 2 handles. For 60" opening	SHIPS FREIGHT	
CCR1419	14" - 19.9" Circular + 1 handle. For 12" - 17.9" opening	SHIPS PARCEL	
CCR2025	20.1" - 25.9" Circular + 1 handle. For 18.1" - 23.9" opening	SHIPS PARCEL	
CCR2631	26.1" - 31.9" Circular + 1 handle. For 24.1" - 29.9" opening	SHIPS PARCEL	
CCR3237	32.1" - 37.9" Circular + 1 handle. For 30.1" - 35.9" opening	SHIPS PARCEL	
CCR3843	38.1" - 43.9" Circular + 2 handles. For 36.1" - 41.9" opening	SHIPS FREIGHT	
CCR4449	44.1" - 49.9" Circular + 2 handles. For 42.1" - 47.9" opening	SHIPS FREIGHT	
CCR5055	50.1" - 55.9" Circular + 2 handles. For 48.1" - 53.9" opening	SHIPS FREIGHT	
CCR5661	56" - 61.9" Circular + 2 handles. For 54" - 59.9" opening	SHIPS FREIGHT	
CCR6267	62.1" - 67.9" Circular + 2 handles. For 60.1" - 65.9" opening	SHIPS FREIGHT	
CCR6872	68" - 72" Circular + 2 handles. For 66" - 70" opening	SHIPS FREIGHT	

SQUARE

SKU	DESCRIPTION	SHIP WEIGHT + METHOD	
FPC20S	20" Square + 1 handle. For 18" opening	10 lbs	SHIPS PARCEL
FPC26S	26" Square + 1 handle. For 24" opening	16 lbs	SHIPS PARCEL
FPC32S	32" Square + 1 handle. For 30" opening	23 lbs	SHIPS PARCEL
FPC38S	38" Square + 2 handles. For 36" opening	SHIPS FREIGHT	
FPC44S	44" Square + 2 handles. For 42" opening	SHIPS FREIGHT	
FPC50S	50" Square + 2 handles. For 48" opening	SHIPS FREIGHT	
FPC62S	62" Square + 2 handles. For 60" opening	SHIPS FREIGHT	
CSR1419	14" - 19.9" Square + 1 handle. For 12" - 17.9" opening	SHIPS PARCEL	
CSR2025	20.1" - 25.9" Square + 1 handle. For 18.1" - 23.9" opening	SHIPS PARCEL	
CSR2631	26.1" - 31.9" Square + 1 handle. For 24.1" - 29.9" opening	SHIPS PARCEL	
CSR3237	32.1" - 37.9" Square + 1 handle. For 30.1" - 35.9" opening	SHIPS PARCEL	
CSR3843	38.1" - 43.9" Square + 2 handles. For 36.1" - 41.9" opening	SHIPS FREIGHT	
CSR4449	44.1" - 49.9" Square + 2 handles. For 42.1" - 47.9" opening	SHIPS FREIGHT	
CSR5055	50.1" - 55.9" Square + 2 handles. For 48.1" - 53.9" opening	SHIPS FREIGHT	
CSR5661	56" - 61.9" Square + 2 handles. For 54" - 59.9" opening	SHIPS FREIGHT	
CSR6267	62.1" - 67.9" Square + 2 handles. For 60.1" - 65.9" opening	SHIPS FREIGHT	
CSR6872	68" - 72" Square + 2 handles. For 66" - 70" opening	SHIPS FREIGHT	



RECTANGULAR COVERS

TECH TIP

Covers should be sized at least 2" larger than the measurement of the opening. This allows easier installation and removal for service.

Depending on dimensions and weight, covers may be cut into multiple pieces.

SKU	DESCRIPTION	SHIPPING METHOD		
		Length	Width	
CRR2312	18" - 23.9" x 6" - 12.9" Rectangular + 1 handle	18" - 23.9"	6" - 12.9"	SHIPS PARCEL
CRR2912	24" - 29.9" x 6" - 12.9" Rectangular + 1 handle	24" - 29.9"	6" - 12.9"	SHIPS PARCEL
CRR3512	30" - 35.9" x 6" - 12.9" Rectangular + 1 handle	30" - 35.9"	6" - 12.9"	SHIPS PARCEL
CRR4112	36" - 41.9" x 6" - 12.9" Rectangular + 2 handles	36" - 41.9"	6" - 12.9"	SHIPS PARCEL
CRR4712	42" - 47.9" x 6" - 12.9" Rectangular + 2 handles	42" - 47.9"	6" - 12.9"	SHIPS PARCEL
CRR5312	48" - 53.9" x 6" - 12.9" Rectangular + 2 handles	48" - 53.9"	6" - 12.9"	SHIPS PARCEL
CRR6112	54" - 61.9" x 6" - 12.9" Rectangular + 2 handles	54" - 61.9"	6" - 12.9"	SHIPS PARCEL
CRR6712	62" - 67.9" x 6" - 12.9" Rectangular + 2 handles	62" - 67.9"	6" - 12.9"	SHIPS PARCEL
CRR7312	68" - 73.9" x 6" - 12.9" Rectangular + 2 handles	68" - 73.9"	6" - 12.9"	SHIPS FREIGHT
CRR7912	74" - 79.9" x 6" - 12.9" Rectangular + 2 handles	74" - 79.9"	6" - 12.9"	SHIPS FREIGHT
CRR8512	80" - 85.9" x 6" - 12.9" Rectangular + 2 handles	80" - 85.9"	6" - 12.9"	SHIPS FREIGHT
CRR9112	86" - 91.9" x 6" - 12.9" Rectangular + 2 handles	86" - 91.9"	6" - 12.9"	SHIPS FREIGHT
CRR9712	92" - 97.9" x 6" - 12.9" Rectangular + 2 handles	92" - 97.9"	6" - 12.9"	SHIPS FREIGHT
CRR10312	98" - 103.9" x 6" - 12.9" Rectangular + 2 handles	98" - 103.9"	6" - 12.9"	SHIPS FREIGHT
CRR10912	104" - 109.9" x 6" - 12.9" Rectangular + 2 handles	104" - 109.9"	6" - 12.9"	SHIPS FREIGHT
CRR11512	110" - 115.9" x 6" - 12.9" Rectangular + 2 handles	110" - 115.9"	6" - 12.9"	SHIPS FREIGHT
CRR12212	116" - 120" x 6" - 12.9" Rectangular + 2 handles	116" - 120"	6" - 12.9"	SHIPS FREIGHT
CRR2317	18" - 23.9" x 13" - 17.9" Rectangular + 1 handle	18" - 23.9"	13" - 17.9"	SHIPS PARCEL
CRR2917	24" - 29.9" x 13" - 17.9" Rectangular + 1 handle	24" - 29.9"	13" - 17.9"	SHIPS PARCEL
CRR3517	30" - 35.9" x 13" - 17.9" Rectangular + 1 handle	30" - 35.9"	13" - 17.9"	SHIPS PARCEL
CRR4117	36" - 41.9" x 13" - 17.9" Rectangular + 2 handles	36" - 41.9"	13" - 17.9"	SHIPS PARCEL
CRR4717	42" - 47.9" x 13" - 17.9" Rectangular + 2 handles	42" - 47.9"	13" - 17.9"	SHIPS PARCEL
CRR5317	48" - 53.9" x 13" - 17.9" Rectangular + 2 handles	48" - 53.9"	13" - 17.9"	SHIPS PARCEL
CRR6117	54" - 61.9" x 13" - 17.9" Rectangular + 2 handles	54" - 61.9"	13" - 17.9"	SHIPS PARCEL
CRR6717	62" - 67.9" x 13" - 17.9" Rectangular + 2 handles	62" - 67.9"	13" - 17.9"	SHIPS PARCEL
CRR7317	68" - 73.9" x 13" - 17.9" Rectangular + 2 handles	68" - 73.9"	13" - 17.9"	SHIPS FREIGHT
CRR7917	74" - 79.9" x 13" - 17.9" Rectangular + 2 handles	74" - 79.9"	13" - 17.9"	SHIPS FREIGHT
CRR8517	80" - 85.9" x 13" - 17.9" Rectangular + 2 handles	80" - 85.9"	13" - 17.9"	SHIPS FREIGHT
CRR9117	86" - 91.9" x 13" - 17.9" Rectangular + 2 handles	86" - 91.9"	13" - 17.9"	SHIPS FREIGHT
CRR9717	92" - 97.9" x 13" - 17.9" Rectangular + 2 handles	92" - 97.9"	13" - 17.9"	SHIPS FREIGHT
CRR10317	98" - 103.9" x 13" - 17.9" Rectangular + 2 handles	98" - 103.9"	13" - 17.9"	SHIPS FREIGHT
CRR10917	104" - 109.9" x 13" - 17.9" Rectangular + 2 handles	104" - 109.9"	13" - 17.9"	SHIPS FREIGHT
CRR11517	110" - 115.9" x 13" - 17.9" Rectangular + 2 handles	110" - 115.9"	13" - 17.9"	SHIPS FREIGHT
CRR12017	116" - 120" x 13" - 17.9" Rectangular + 2 handles	116" - 120"	13" - 17.9"	SHIPS FREIGHT

RECTANGULAR COVERS

Depending on dimensions and weight, covers may be cut into multiple pieces.

SKU	DESCRIPTION	SHIPPING METHOD		
		Length	Width	
CRR2923	24" - 29.9" x 18" - 23.9" Rectangular + 1 handle	24" - 29.9"	18" - 23.9"	SHIPS PARCEL
CRR3523	30" - 35.9" x 18" - 23.9" Rectangular + 1 handle	30" - 35.9"	18" - 23.9"	SHIPS PARCEL
CRR4123	36" - 41.9" x 18" - 23.9" Rectangular + 2 handles	36" - 41.9"	18" - 23.9"	SHIPS PARCEL
CRR4723	42" - 47.9" x 18" - 23.9" Rectangular + 2 handles	42" - 47.9"	18" - 23.9"	SHIPS PARCEL
CRR5323	48" - 53.9" x 18" - 23.9" Rectangular + 2 handles	48" - 53.9"	18" - 23.9"	SHIPS PARCEL
CRR6123	54" - 61.9" x 18" - 23.9" Rectangular + 2 handles	54" - 61.9"	18" - 23.9"	SHIPS PARCEL
CRR6723	62" - 67.9" x 18" - 23.9" Rectangular + 2 handles	62" - 67.9"	18" - 23.9"	SHIPS PARCEL
CRR7323	68" - 73.9" x 18" - 23.9" Rectangular + 2 handles	68" - 73.9"	18" - 23.9"	SHIPS PARCEL
CRR7923	74" - 79.9" x 18" - 23.9" Rectangular + 2 handles	74" - 79.9"	18" - 23.9"	SHIPS PARCEL
CRR8523	80" - 85.9" x 18" - 23.9" Rectangular + 2 handles	80" - 85.9"	18" - 23.9"	SHIPS FREIGHT
CRR91123	86" - 91.9" x 18" - 23.9" Rectangular + 2 handles	86" - 91.9"	18" - 23.9"	SHIPS FREIGHT
CRR9723	92" - 97.9" x 18" - 23.9" Rectangular + 2 handles	92" - 97.9"	18" - 23.9"	SHIPS FREIGHT
CRR10323	98" - 103.9" x 18" - 23.9" Rectangular + 2 handles	98" - 103.9"	18" - 23.9"	SHIPS FREIGHT
CRR10923	104" - 109.9" x 18" - 23.9" Rectangular + 2 handles	104" - 109.9"	18" - 23.9"	SHIPS FREIGHT
CRR11523	110" - 115.9" x 18" - 23.9" Rectangular + 2 handles	110" - 115.9"	18" - 23.9"	SHIPS FREIGHT
CRR12223	116" - 122" x 18" - 23.9" Rectangular + 2 handles	116" - 122"	18" - 23.9"	SHIPS FREIGHT
CRR4130	36" - 41.9" x 24" - 30" Rectangular + 2 handles	36" - 41.9"	24" - 30"	SHIPS PARCEL
CRR4730	42" - 47.9" x 24" - 30" Rectangular + 2 handles	42" - 47.9"	24" - 30"	SHIPS PARCEL
CRR5330	48" - 53.9" x 24" - 30" Rectangular + 2 handles	48" - 53.9"	24" - 30"	SHIPS PARCEL
CRR6130	54" - 61.9" x 24" - 30" Rectangular + 2 handles	54" - 61.9"	24" - 30"	SHIPS PARCEL
CRR6730	62" - 67.9" x 24" - 30" Rectangular + 2 handles	62" - 67.9"	24" - 30"	SHIPS PARCEL
CRR7330	68" - 73.9" x 24" - 30" Rectangular + 2 handles	68" - 73.9"	24" - 30"	SHIPS FREIGHT
CRR7930	74" - 79.9" x 24" - 30" Rectangular + 2 handles	74" - 79.9"	24" - 30"	SHIPS FREIGHT
CRR8530	80" - 85.9" x 24" - 30" Rectangular + 2 handles	80" - 85.9"	24" - 30"	SHIPS FREIGHT
CRR9130	86" - 91.9" x 24" - 30" Rectangular + 2 handles	86" - 91.9"	24" - 30"	SHIPS FREIGHT
CRR9730	92" - 97.9" x 24" - 30" Rectangular + 2 handles	92" - 97.9"	24" - 30"	SHIPS FREIGHT
CRR10330	98" - 103.9" x 24" - 30" Rectangular + 2 handles	98" - 103.9"	24" - 30"	SHIPS FREIGHT
CRR10930	104" - 109.9" x 24" - 30" Rectangular + 2 handles	104" - 109.9"	24" - 30"	SHIPS FREIGHT
CRR11530	110" - 115.9" x 24" - 30" Rectangular + 2 handles	110" - 115.9"	24" - 30"	SHIPS FREIGHT
CRR12230	116" - 122" x 24" - 30" Rectangular + 2 handles	116" - 122"	24" - 30"	SHIPS FREIGHT



EXPERTS IN COMMERCIAL APPLICATIONS AND DESIGN.

Big or small, Warming Trends can help create the perfect gathering spot for any commercial space.



IGNITIONS AND ELECTRONIC ACCESSORIES

Light your fire feature with the simplicity of a match or choose a fully automatic ignition system. See the Ignition Compatibility Chart on page 58 for guidance.

IGNITION COMPATIBILITY CHART

Not all burners shown below.

	Plate / Pan (inches)	Circular Plate	Square Plate	Rectangular Plate	FK1	FK2	FKM1	FKM2	PBIK	MERCURY	PLATINUM	3VIK	24VIKHC
ORIGINAL													
CFB60	18"	X	X		X		X		X	X	X	X	X
CFB60XL	18"	X	X		X		X		X	X	X	X	X
CFB84	18"	X	X		X		X		X	X	X	X	X
CFB120	24"	X	X		X		X		X	X	X	X	X
CFB180	30"	X	X		X		X		X	X	X		X
CFB240	30"	X	X		X		X		X	X	X		X
CFB290	36"	X	X			X		X	X		X		X
CFB350	48"	X	X			X		X			X		X
CFB450	60"	X	X			X		X			X		
OCTAGONAL													
CFBO140	18"	X	X		X		X		X	X	X		X
CFBO180	24"	X	X		X		X		X	X	X		X
CFBO280	30"	X	X			X		X	X		X		X
CFBO320	36"	X	X			X		X			X		X
CFBO360	42"	X	X			X		X			X		X
TREE-STYLES													
CFBT110	20" x 11"			X	X		X		X	X	X	X	X
CFBT170	28" x 11"			X	X		X		X	X	X		X
CFBT230	36" x 11"			X	X		X		X	X	X		X
CFBT290	44" x 14"			X		X		X	X		X		X
CFBT350	58" x 14"			X		X		X			X		X
CFBT410	66" x 14"			X		X		X			X		
CFBT470	74" x 14"			X		X		X			X		
LINEAR													
CFBL90	20" x 6"			X	X		X		X	X	X	X	X
CFBL110	26" x 6"			X	X		X		X	X	X	X	X
CFBL130	32" x 8"			X	X		X		X	X	X	X	X
CFBL150	38" x 8"			X	X		X		X	X	X		X
CFBL190	44" x 8"			X	X		X		X	X	X		X
CFBL210	50" x 10"			X	X		X		X	X	X		X

TECH TIP

Plate/pan should be sized slightly smaller than the measurement of the opening.
This allows easier installation and removal for service.

IGNITION SYSTEMS



MATCH LIT

All CROSSFIRE® Brass Burners come standard as a manual Match Lit System. Light a match and turn the key valve to ignite your fire feature burner.



PUSH BUTTON IGNITION

Upgrade to an electric Push Button Ignition. Turn the key valve to on position and push the button to ignite your burner.

SKU	DESCRIPTION	SHIP WEIGHT + METHOD	
PBIK3.0	Push Button Ignition Kit: Spark Igniter Rod and Wire + Push Button Battery Operated Control Module	3 lbs	SHIPS PARCEL
PBIK3.0MBR	Push Button Ignition Kit + Mounting Bracket + (2) 3/4" Street Elbows	5 lbs	SHIPS PARCEL
PBIK3.0MBRFK1	Push Button Ignition Kit + Mounting Bracket + FK1 + 3" and 12" Key + (2) Pre-mounted 3/4" Street Elbows	9 lbs	SHIPS PARCEL
PBIK3.0MBRFK2	Push Button Ignition Kit + Mounting Bracket + FK2 + 3" and 12" Key + (2) Pre-mounted 3/4" Street Elbows	11 lbs	SHIPS PARCEL



PBIK3.0MBR



MERCURY IGNITION SYSTEM

NEW PRODUCT!

The Mercury Ignition provides a layer of safety in the event a burner's flame is unexpectedly extinguished. This innovative new design provides a quick, automatic shutoff of gas flow and an easy reset to reignite the flame when ready to address building and safety code requirements, as well as personal safety preferences.

SKU	DESCRIPTION	SHIP WEIGHT + METHOD	
MERCLP	Mercury Ignition Spark Ignitor with Internal Safety Shutoff + 3' Pilot for use with any Burner up to 240K BTU + FIT180 + Liquid Propane	7 lbs	SHIPS PARCEL
MERCNG	Mercury Ignition Spark Ignitor with Internal Safety Shutoff + 3' Pilot for use with any Burner up to 240K BTU + FIT180 + Natural Gas		



MERCURY IGNITION



PLATINUM AUTOMATIC IGNITION

NEW PRODUCT!

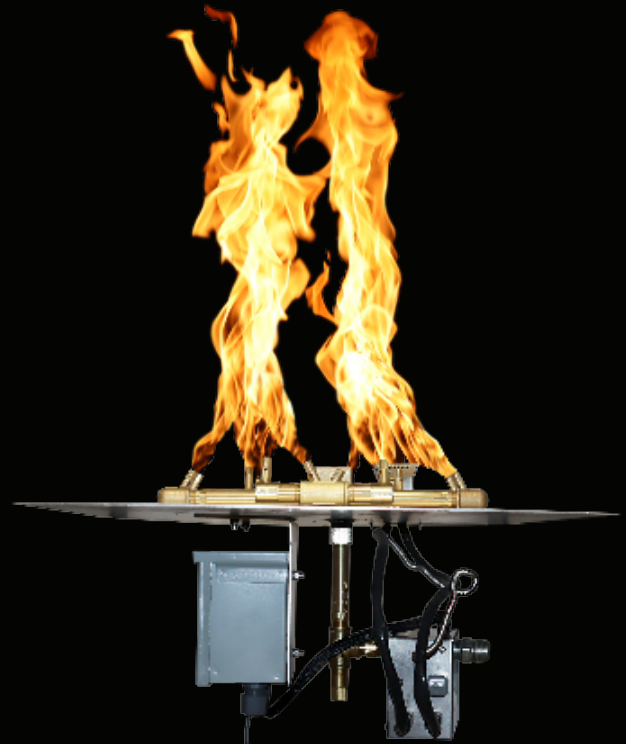
The Platinum Automatic Ignition System delivers superior quality, performance, and value to our partners and their customers. Expertly engineered, this innovative ignition has been designed and built to eliminate industry-wide weaknesses in outdoor fire feature ignitions. The Platinum Ignition System includes the Valve Box, Transformer, and Pilot Assembly.

SKU	DESCRIPTION	SHIP WEIGHT + METHOD	
103063	Platinum 24 Volt Electronic Ignition System - Valve Box Hot Surface Igniter + 24V Transformer for 1/2" Manifolds . Maximum Gas Output 680,000 BTU/h - Natural Gas	14 lbs	SHIPS PARCEL
103064	Platinum 24 Volt Electronic Ignition System - Valve Box Hot Surface Igniter + 24V Transformer for 1/2" Manifolds . Maximum Gas Output 680,000 BTU/h - Liquid Propane	14 lbs	SHIPS PARCEL
103065	Platinum 24 Volt Electronic Ignition System - Valve Box Hot Surface Igniter + 24V Transformer for 3/4" Manifolds . Maximum Gas Output 680,000 BTU/h - Natural Gas	14 lbs	SHIPS PARCEL
103066	Platinum 24 Volt Electronic Ignition System - Valve Box Hot Surface Igniter + 24V Transformer for 3/4" Manifolds . Maximum Gas Output 680,000 BTU/h - Liquid Propane	14 lbs	SHIPS PARCEL



PLATINUM AUTOMATIC IGNITION SYSTEM

**680,000 BTUs OF GAS OUTPUT.
SUPERIOR RELIABILITY.
UNMATCHED PRICE.**

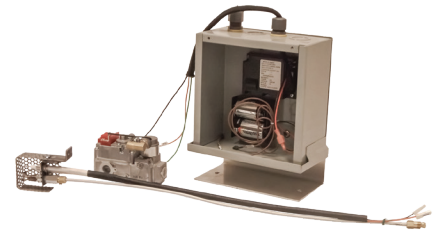


SCAN TO LEARN MORE ABOUT THE INNOVATIVE LINE OF IGNITIONS FROM WARMING TRENDS.



3 VOLT IGNITION

A battery-operated ignition system with on and off switch.
3 Volt Ignition supplies up to 120K BTUs.
Remote control available.



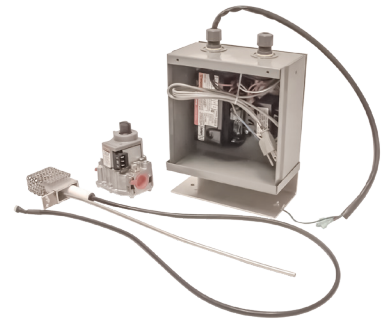
3VIK

SKU	DESCRIPTION	SHIP WEIGHT + METHOD	
3VIK-NG 3VIK-LP	3 Volt Electronic Ignition System: Spark Igniter + Control Module + D-Cell Battery Pack + 3 Volt Gas Valve + up to 120K BTU + Ignition Switch	14 lbs	SHIPS PARCEL



24 VOLT SPARK IGNITION

24 Volt Spark Ignition supplies up to 400K BTUs.
Includes step down transformer for use with 24 Volt/110 Volt supply.
Remote control options available.



24VIKHC

SKU	DESCRIPTION	SHIP WEIGHT + METHOD	
24VIKHC-NG 24VIKHC-LP	24 Volt Spark Ignition System: Spark Igniter + Control Module + 24 Volt Transformer + up to 400K BTU	17 lbs	SHIPS PARCEL

Low voltage Premium Ignition available. Call a Warming Trends Flame Specialist to discuss the best ignition system for your CROSSFIRE® Brass Burner.

TECH TIP

Aluminum covers help protect electronic ignition systems from the elements.
Available in standard and custom sizes. See page 49.

ELECTRONIC ACCESSORIES

Want to turn your fire feature on remotely? We've got you covered. We offer electronic accessories that keep your fire feature safe and easy to use.



3 VOLT REMOTE

SKU	DESCRIPTION	SHIP WEIGHT + METHOD	
3VRC	ON/OFF Remote Control for 3 Volt Ignition System. Only compatible with 3VIK Ignition.	3 lbs	SHIPS PARCEL



24 VOLT KEY CHAIN REMOTE

SKU	DESCRIPTION	SHIP WEIGHT + METHOD	
KCRC	ON/OFF Wireless Key Chain Remote Control & Plug In Receiver for 24 Volt Ignition System.	4 lbs	SHIPS PARCEL



DIAL TIMERS

Available in 1 hour, 2 hour, and 12 hour options for automatic shut off with NEMA Rated outdoor enclosure.

SKU	DESCRIPTION	SHIP WEIGHT + METHOD	
DT2HRNB	2 Hour Dial Timer with NEMA Rated Enclosure.	5 lbs	SHIPS PARCEL
DT12HRNB	12 Hour Dial Timer with NEMA Rated Enclosure.	5 lbs	SHIPS PARCEL
DTES1HR	1 Hour Dial Timer with Manual Emergency Shut-off for use on Gas Line. Up to 170K BTUs NG/LP.	4 lbs	SHIPS PARCEL



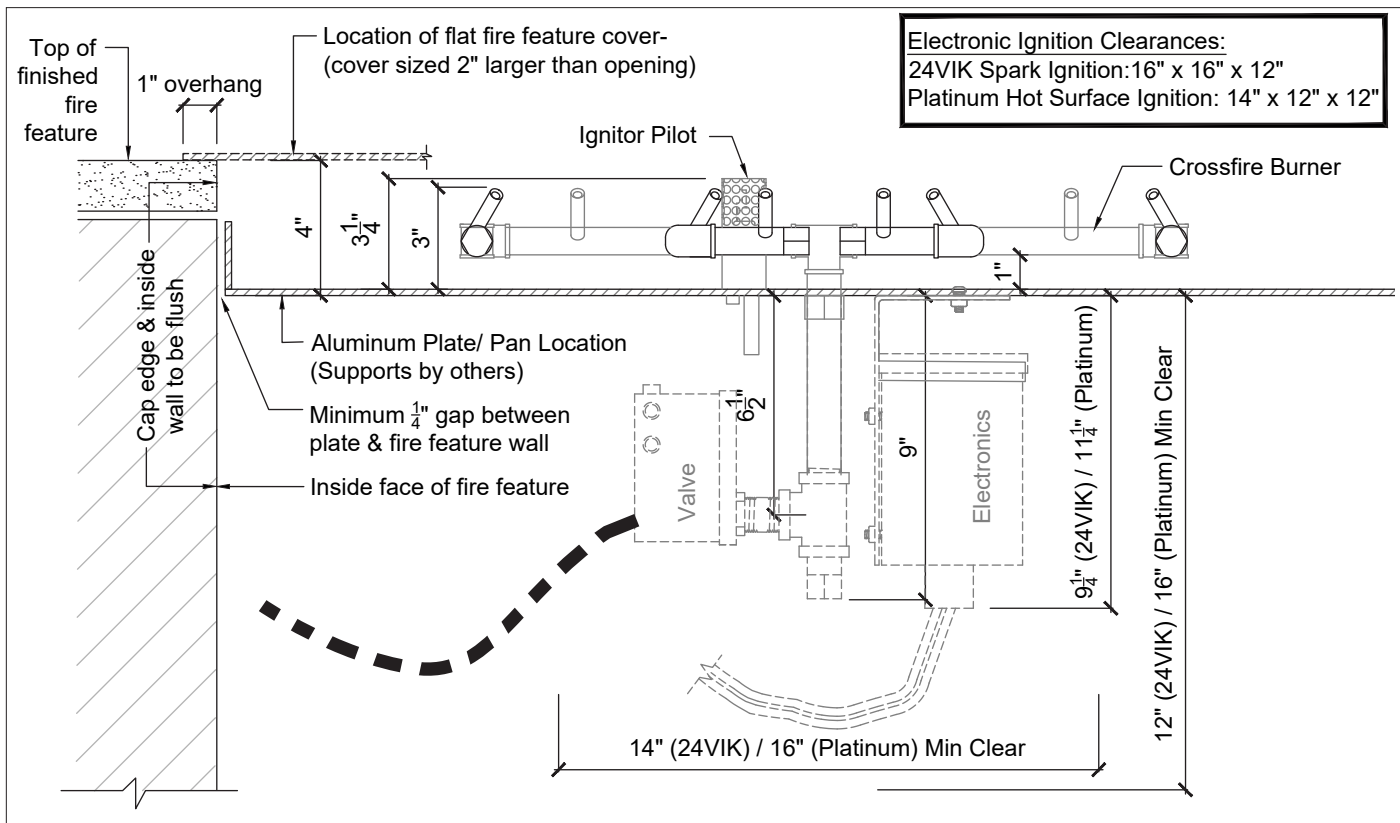
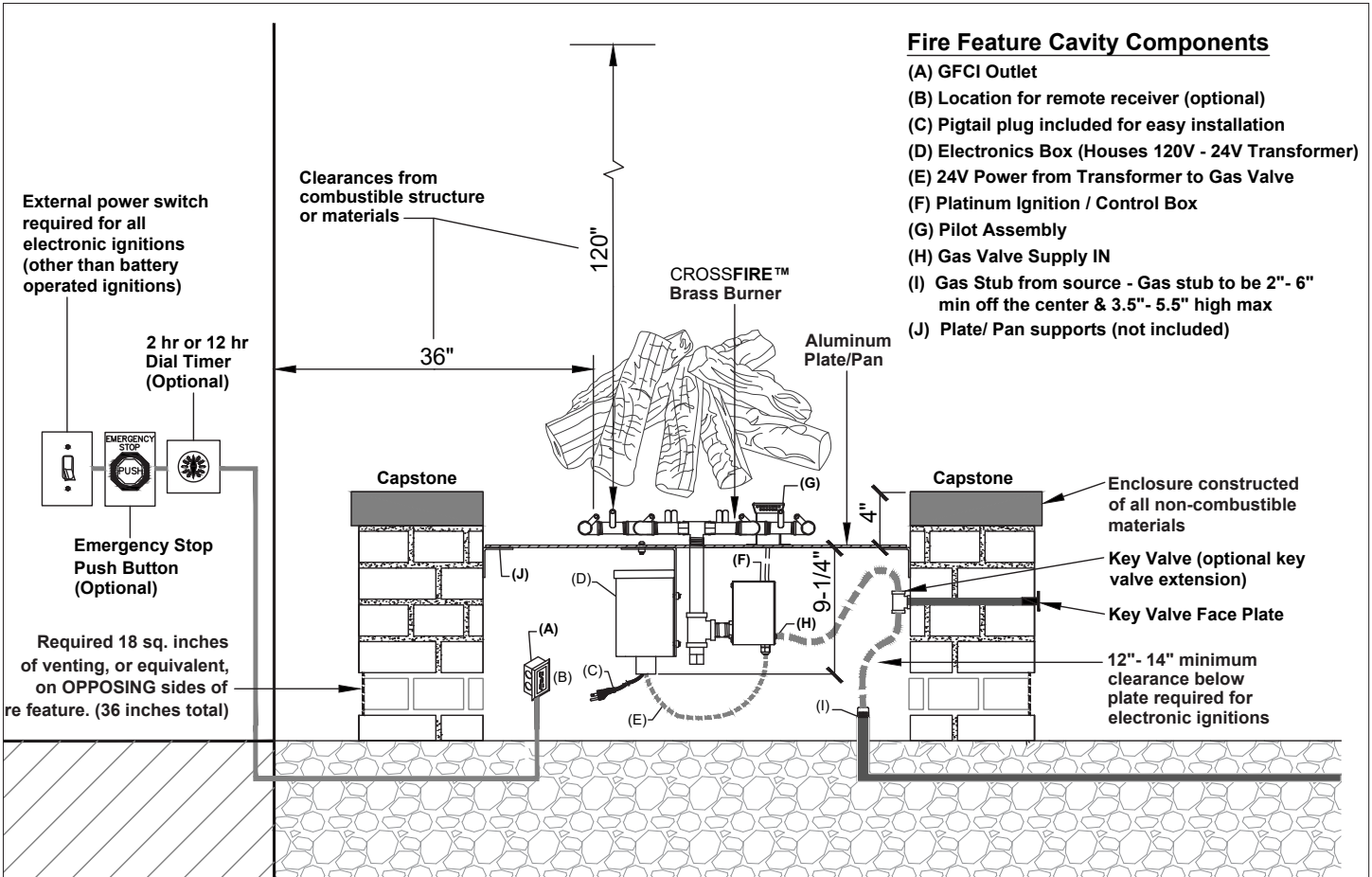
EMERGENCY STOP

SKU	DESCRIPTION	SHIP WEIGHT + METHOD	
EMERSTOP	Push Button Emergency Stop with yellow shell and weatherproof lift cover. Recommended for commercial properties.	5 lbs	SHIPS PARCEL
DTES1HR	1 Hour Dial Timer with Manual Emergency Shut-off for use on Gas Line. Up to 170K BTUs NG/LP.	3 lbs	SHIPS PARCEL

TECH TIP

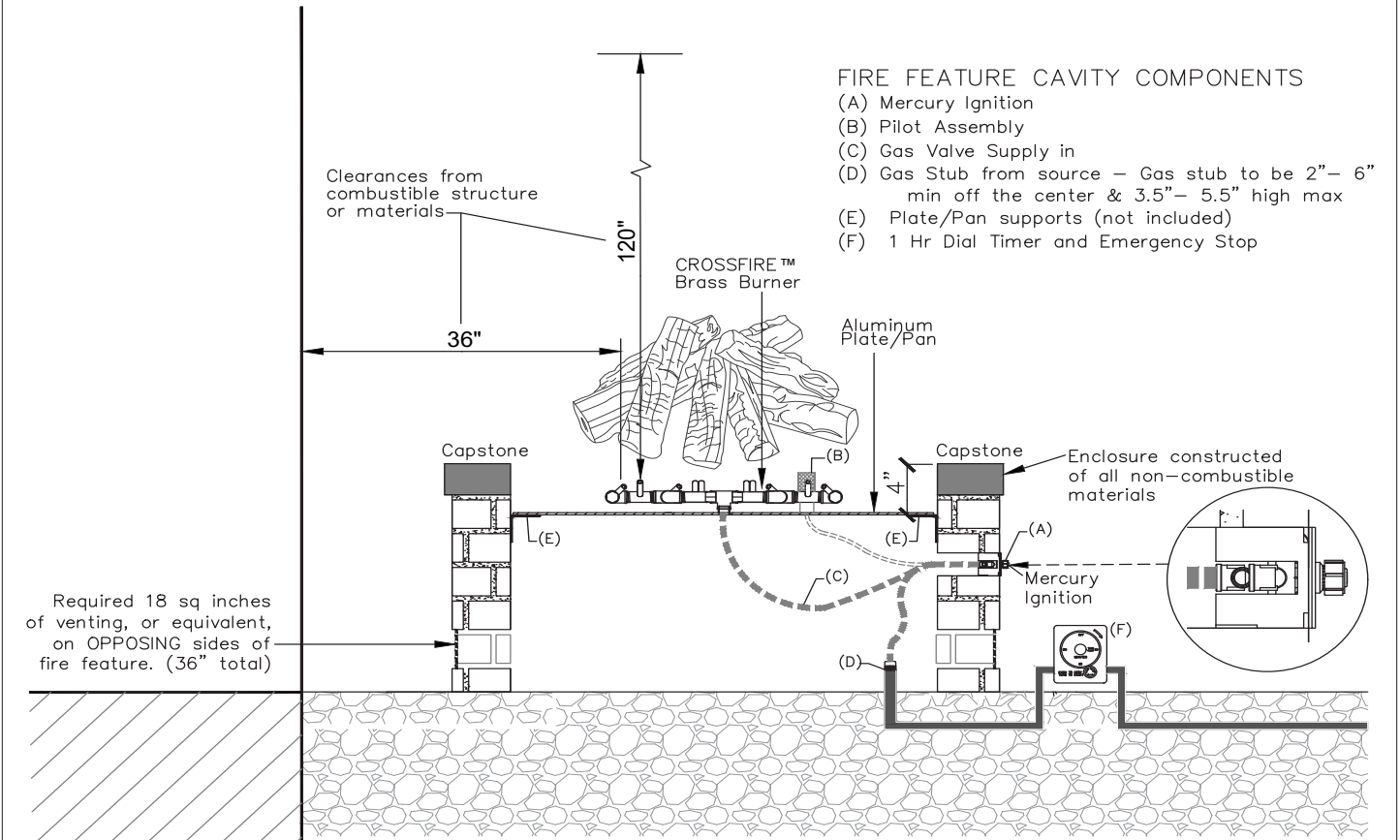
Typically commercial projects require an Emergency Stop and

ELECTRONICS AND CLEARANCE DIAGRAM



INSTALLATION AND CLEARANCE DIAGRAM - MERCURY

Vertical clearance of 120" from burner to combustible structure or materials is required. Horizontal or lateral clearance of 36" between edge of burner and combustible structure or materials is required.



MADE IN THE
USA.

SUPERIOR PERFORMANCE. OUTSTANDING QUALITY.
RELIABLE LEAD TIMES.

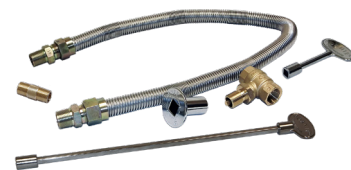


PARTS, LOGS, AND MEDIA

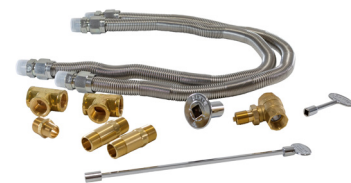
Select the right accents to complement your feature's surroundings. Complete the feature with a cover made to fit. See page 49 for available covers.

PARTS

SKU	DESCRIPTION	SHIP WEIGHT + METHOD	
FK1	For use with any burner 249K BTUs and below. Kit includes: (1) 36" L x 3/4" Diameter Flex Line + 3/4" Key Valve + 3" Key and 12" Key + (1) 1/2" x 2" Nipple	3 lbs	SHIPS PARCEL
FK2	For use with any burner 250K BTUs and above. Kit includes: (2) 36" L x 3/4" Diameter Flex Line + 3/4" Key Valve + 3" Key and 12" Key + (2) 3/4" x 3" Nipple + (2) 3/4" Tee + (1) 3/4" x 1/2" Male Reducing Fitting	7 lbs	SHIPS PARCEL
FIT180	Flex Line & Key Valve Connection Fitting for use with any 121K - 249K BTU Burner. Kit includes: (1) 1/2" x 2" Nipple	3 lbs	SHIPS PARCEL
FKM1	Mercury Ignition Single Flex Line kit - For use with any burner 249K BTUs and below. Kit includes: (1) 36" L x 3/4" Diameter Flex Line + (1) 1/2" x 2" Nipple	3 lbs	SHIPS PARCEL
FKM2	Mercury Ignition Single Flex Line kit - For use with any burner 249K BTUs and below. Kit includes: (1) 36" L x 3/4" Diameter Flex Line + (1) 1/2" x 2" Nipple	6 lbs	SHIPS PARCEL
FIT250	Flex Line & Key Valve Connection Fittings for use with any burner 249K - 299K BTU. Kit includes: (1) 3/4" x 1/2" MM Reducer Fitting + (2) 3/4" Tee + (1) 3/4" x 3" Nipple.	4 lbs	SHIPS PARCEL
FIT300	Flex Line & Key Valve Connection Fittings for 300k+ BTU Burner. Kit includes: (2) 3/4" x 3" Nipple + (2) 3/4" Tee.	4 lbs	SHIPS PARCEL
REDUCER3412	Reducer 3/4" Male x 1/2" Male Fitting	3 lbs	SHIPS PARCEL
FL3612	36" L x 1/2" Diameter Flex Line (MM)	4 lbs	SHIPS PARCEL
FL3634	36" L x 3/4" Diameter Flex Line (MM)	5 lbs	SHIPS PARCEL
KV12	1/2" Key Valve + 3" Key	3 lbs	SHIPS PARCEL
KV34	3/4" Key Valve + 3" Key	3 lbs	SHIPS PARCEL
KEY3	3" Key	1 lb	SHIPS PARCEL
KEY12	12" Key	3 lbs	SHIPS PARCEL
KEY24	24" Key	3 lbs	SHIPS PARCEL
KVE4	4" Threaded metal Key Valve Extension	2 lbs	SHIPS PARCEL
KVE8	8" Threaded metal Key Valve Extension	3 lbs	SHIPS PARCEL
DRIPLEG12	1/2" Drip Leg Kit	4 lbs	SHIPS PARCEL
DRIPLEG34	3/4" Drip Leg Kit	5 lbs	SHIPS PARCEL
LPRH	Liquid Propane Regulator mounted on 5/16" (internal diameter) 10' hose with handwheel quick connect. For use up to 200K BTUs with a 20 lb Propane Tank.	4 lbs	SHIPS PARCEL
REGLP200	Regulator 3/8" NPT female outlet 200K BTU/hr capacity. Maximum inlet pressure 250 PSI. Low pressure outlet 11" W.C. Liquid Propane	3 lbs	SHIPS PARCEL
COLLAR	Paver Kit Adjustable Install Collar 19" + (6) Screws	2 lbs	SHIPS PARCEL
COLLARF	19" flexible, No drill Collar for installation between courses of block	2 lbs	SHIPS PARCEL
FPVK	Fire Pit Vent Kit: (2) 12" x 3 7/8" Vents (18 square inches of vent area per vent) + (8) Screws	3 lbs	SHIPS PARCEL
VENTVL	(2) 9 1/4" X 3" Each Vent replaces one block, provides block support and 18" of venting	2 lbs	SHIPS PARCEL
VENTBW	(2) 11 3/8" X 4" Each Vent replaces one block, provides block support and 18" of venting	2 lbs	SHIPS PARCEL



FK1
For use with any burner 249K BTUs and below.



FK2
For use with any burner 250K BTUs and above.



FKM1
For use with Mercury Ignition and any burner 249K BTUs and below.



FKM2
For use with Mercury Ignition and any burner 250K BTUs and above.



REGLP200



COLLARF

CERAMIC LOG SETS



WESTERN OAK LOG SETS

Additional sizes available upon request.

SKU	DESCRIPTION	SHIP WEIGHT + METHOD	
WOS	Western Oak Log Set for 24"-30" Fire Feature (8 Pieces)	38 lbs	SHIPS PARCEL
WOM	Western Oak Log Set for 36"-42" Fire Feature (12 Pieces)	72 lbs	SHIPS PARCEL
WOL	Western Oak Log Set for 48" Fire Feature (15 Pieces)	105 lbs	SHIPS PARCEL



MOUNTAIN SPLIT LOG SETS

Additional sizes available upon request.

SKU	DESCRIPTION	SHIP WEIGHT + METHOD	
MSS	Mountain Split Log Set for 24"-30" Fire Feature (8 Pieces)	40 lbs	SHIPS PARCEL
MSM	Mountain Split Log Set for 36"-42" Fire Feature (12 Pieces)	72 lbs	SHIPS PARCEL
MSL	Mountain Split Log Set for 48" Fire Feature (15 Pieces)	97 lbs	SHIPS PARCEL



STEEL LOG SETS

Available for 18", 24", 30", and 36" Fire Features.

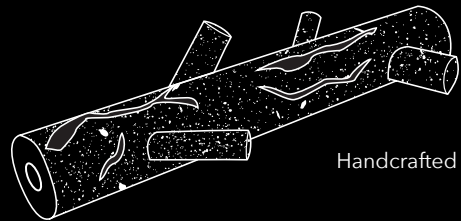
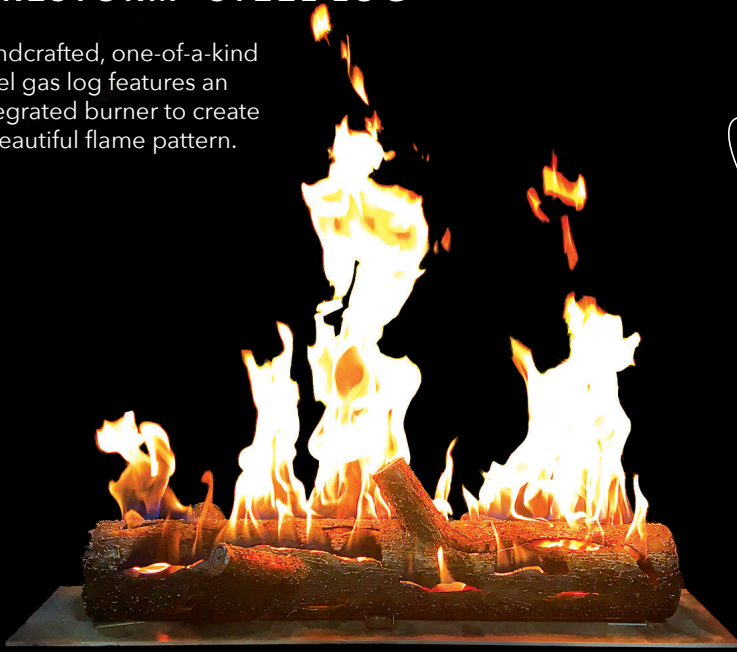
SKU	DESCRIPTION	SHIP METHOD
SLS18	Handcrafted to fit 18" Fire Feature	SHIPS FREIGHT
SLS24	Handcrafted to fit 24" Fire Feature	SHIPS FREIGHT
SLS30	Handcrafted to fit 30" Fire Feature	SHIPS FREIGHT
SLS36	Handcrafted to fit 36" Fire Feature	SHIPS FREIGHT
SLSCUST	Custom Handcrafted Steel Log Set	SHIPS FREIGHT

TECH TIP

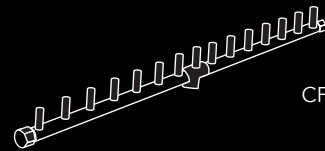
Custom Steel and FireStorm® Log Sets are available. Give us a call at (303) 346-2224.

FIRESTORM® STEEL LOG

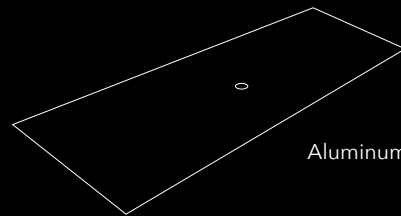
Handcrafted, one-of-a-kind steel gas log features an integrated burner to create a beautiful flame pattern.



Handcrafted Steel Log



CFBL150



Aluminum Plate

SKU	DESCRIPTION	SHIP WEIGHT + METHOD	
FSL32LP	32" Steel log with integrated CFBL150 CROSSFIRE® Brass Burner on a 38" x 10" aluminum plate for Liquid Propane	32 lbs	SHIPS PARCEL
FSL32NG	32" Steel log with integrated CFBL150 CROSSFIRE® Brass Burner on a 38" x 10" aluminum plate for Natural Gas	32 lbs	SHIPS PARCEL

Additional sizes ranging from 20" - 48" available - **CALL FOR QUOTE**

MEDIA

LAVA ROCK



BLR

1" - 2" Black Lava Rock,
1 bag per 1 cubic foot
45 lb bag



LRR

1" - 2" Gray/Black Rolled Lava,
1 bag per 1 cubic foot
50 lb bag

LAVA ROCK + ROLLED LAVA GUIDE

- 24" PLATE = 1 BAG
- 30" PLATE = 2 BAGS
- 36" PLATE = 3 BAGS
- 42" PLATE = 4 BAGS
- 48" PLATE = 4-5 BAGS
- 60" PLATE = 7-8 BAGS
- 1 BAG = 1 CUBIC FOOT

FIRE GLASS

3/4" - 1/2" Fire Glass. Colors may vary from photo.



AMBER



BLACK



RED



PURPLE



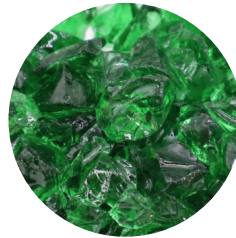
GRAY



DARK BLUE



LIGHT BLUE



GREEN



AQUA



Additional Options
Available Upon Request



CLEAR

Scan the QR Code to easily calculate how
much lava rock or fire glass will be needed
with the Fire Glass Calculator.



WE DIDN'T INVENT FIRE,
WE **PERFECTED** IT.



PROMOTIONAL ITEMS

Our customers consistently share, "Seeing is believing!" And we have just the solution. Your customers can experience the CROSSFIRE® Brass Burner's performance first hand with an in-store display. Nothing compares!

COUNTERTOP DISPLAY

The Counter Top Display includes a CFB60XL CROSSFIRE Brass Burner with the patent-pending WATERSTOP™ fitting, together with a 17" tall, triangular aluminum base.

The Counter Top Display is available in two plate/pan options. The DISCT has a 12" circular plate. DISCT4 has a 12" square plate with 4" sidewalls which can be filled with water to demonstrate the effectiveness of the WATERSTOP fitting.

This display is great for counter tops or other small spaces. The removable demo burner is the perfect portable sales tool.



FLOOR DISPLAY

The Floor Display is 30" tall and 18" square. The display includes a hollow metal frame, a choice of four slide-in marketing panels, a plate with a mounted key valve, and a CFB60XL CROSSFIRE® Brass Burner + WATERSTOP. The unit is ready to connect to a 1 lb propane tank (and can be modified to connect up to a 20 lb tank.) Perfect for a showroom display.

INDOOR / OUTDOOR BANNERS

Let customers know you are a Warming Trends dealer. Versatile for indoor or outdoor use, these (3'x 6' and 6'x 3') banners have grommets on each corner for easy hanging and are made to withstand the elements when displayed outdoors. Choose from these designs:



AUTHORIZED DEALER WINDOW CLING

Promote your Warming Trends dealer status to customers as they enter your door. Choose between a horizontal (6" x 3") or a vertical (3" x 6") design, featuring the eye-catching flame of the CROSSFIRE® brass burner.

Easy to apply, just peel the backing off and adhere to the inside of glass.



Custom fire features are only a call away.
(303) 346-2224

WARRANTY

FULL LIFETIME WARRANTY FOR CROSSFIRE® BURNERS

Warming Trends warrants that each Warming Trends® Crossfire® and other jetted-flame-brass burners sold through Warming Trends' distribution network (each as "Burner") is free from defects in materials and workmanship and conforms to its specifications, which are available upon request. We offer a lifetime, full warranty for our Burners, regardless of ownership, beginning on the date of purchase ("Warranty Period"). This warranty is transferable, but we reserve the right to require proof of ownership for any transferred burners including proof that the Burner was not acquired through improper means or unauthorized re-sellers. During the Warranty Period, Warming Trends provides repair and exchange services for the Burners, without charge. If a Burner does not function as warranted during the Warranty Period and, after a reasonable number of attempts, Warming Trends is unable to either

1) make it do so or 2) replace it with one that is at least functionally equivalent, you may return it to Warming Trends and your money will be refunded. The warranty stated above will not apply to the extent that there has been misuse or use contrary to specifications or the appropriate user or operating manual, installation defect, accident, modification, unsuitable physical or operating environment, operation in other than the specified operating environment (e.g., outdoor burners should only be used outdoors) improper maintenance by you, or failure caused by a product for which Warming Trends is not responsible. With respect to Burners, the warranty is voided by removal or alteration of any identification labels or marks on any Burner or part.

ITEMS NOT COVERED BY FULL WARRANTY FOR BURNERS

OTHER THAN AS EXPRESSLY STATED ABOVE, WARMING TRENDS DOES NOT WARRANT UNINTERRUPTED OR ERROR-FREE OPERATION OF ANY BURNER, OR THAT WARMING TRENDS WILL CORRECT ALL DEFECTS.

This warranty is specific to Burners and does not apply to any other product sold by Warming Trends, which may be covered by separate warranties with different terms. Warming Trends does not warrant any services related to our Burners, including installation, unless we provided those services to you. You may have warranty rights from the service provider, but we make no representations or warranties express or implied regarding any third-party service provider and our warranties do not apply to failures caused by their work.

IGNITION SYSTEMS WARRANTIES

Residential Installations

Platinum Ignition Systems are warranted for three (3) years from date of purchase, when installed on a Warming Trends plate or pan and with listed Crossfire® burners as set forth as Certified with Platinum Ignition Systems in the Platinum Ignition System Instruction Manual or as otherwise approved by Warming Trends, in writing, prior to sale. In the event a Platinum Ignition System must be replaced due to a defect or malfunction of the system, Warming Trends® will repair or replace the system at no cost for the first three (3) years. This warranty does not cover labor costs and will be automatically voided if the ignition system is installed or used with a non-specified burner, accessories or recommended plate or pan, and cover.

24VIK and 3VIK systems are warranted for one (1) year from the date of purchase and, thereafter, are covered by a limited warranty for two (2) years from date of purchase. In the event a 24VIK or 3VIK system must be replaced due to a defect or malfunction of the system, Warming Trends® will repair or replace the system at no cost for the first year. In the event a 24VIK or 3VIK system fails after the first year from date of purchase and within two years from date of purchase, Warming Trends will repair or replace the system for a cost of 50% of the current list price. This warranty does not cover labor costs. P24VIK Systems are warranted for three (3) years from date of purchase. In the event a system must be replaced due to a defect or malfunction of the system, Warming Trends will repair or replace the system at no cost for the first three (3) years. This warranty does not cover labor costs.

Mercury Ignition systems are warranted for three (3) years from date of purchase, when installed on a Warming Trends plate or pan and with listed Crossfire® burners as set forth as Certified with Mercury Ignitions in the Mercury Ignition Instruction Manual or as otherwise approved by Warming Trends, in writing, prior to sale. In the event a Mercury Ignition system must be replaced due to a defect or malfunction of the system, Warming Trends will repair or replace the system at no cost for the first three years. This warranty does not cover labor costs and will be automatically voided if the ignition system is installed or used with a non-specified burner, accessories or recommended plate or pan, and cover. Push Button Ignition Systems pre-installed by Warming Trends on AON fire tables (defined below) are warranted for one (1) year from date of purchase. In the event a Push Button Ignition System must be replaced due to a defect or malfunction of the system, Warming Trends will repair or replace the system at no cost for the first year. This warranty does not cover labor costs and will be automatically voided if the ignition system is installed or used with a non-specified burner, accessories or recommended plate or pan, and cover. Warming Trends does not offer any warranty for Push Button Ignition Systems not pre-installed on AONs.

Commercial Installations

Platinum Ignition Systems are warranted for one (1) year from date of purchase, when installed on a Warming Trends plate or pan and with listed Crossfire® burners as set forth as Certified with Platinum Ignition Systems in the Platinum Ignition System Instruction Manual or as otherwise approved by Warming Trends, in writing, prior to sale. In the event a Platinum Ignition System must be replaced due to a defect or malfunction of the system, Warming Trends will repair or replace the system at no cost for the first year. This warranty does not cover labor costs and will be automatically voided if the ignition system is installed or used with a non-specified burner, accessories or recommended plate or pan, and cover.

24VIK, 3VIK, and P24VIK systems are warranted for one (1) year from date of purchase. In the event a 24VIK, 3VIK, or P24VIK system must be replaced due to a defect or malfunction of the system, Warming Trends will repair or replace the system at no cost for the first year. This warranty does not cover labor costs. Ignition systems are warranted for one (1) year from date of purchase, when installed on a Warming Trends plate or pan and with listed Crossfire® burners as set forth as Certified with Mercury Ignitions in the Mercury Ignition Manual or as otherwise approved by Warming Trends, in writing, prior to sale. In the event a Mercury Ignition system must be replaced due to a defect or malfunction of the system, Warming Trends will repair or replace the system at no cost for the first year. This warranty does not cover labor costs and will be automatically voided if the ignition system is installed or used with a non-specified burner, accessories or recommended plate or pan, and cover. Push Button Ignition Systems pre-installed by Warming Trends on AON fire tables (defined below) are warranted for one (1) year from date of purchase. In the event a Push Button Ignition System must be replaced due to a defect or malfunction of the system, Warming Trends will repair or replace the system at no cost for the first year. This warranty does not cover labor costs and will be automatically voided if the ignition system is installed or used with a non-specified burner, accessories or recommended plate or pan, and cover. Warming Trends does not offer any warranty for Push Button Ignition Systems not pre-installed on AONs.

ITEMS NOT COVERED BY WARRANTIES FOR IGNITION SYSTEMS

Warming Trends does not warrant any services related to our Electronic and Manual Ignition Systems, including, without limitation, installation, unless we provided those services to you. You may have warranty rights from the service provider, but we make no representations or warranties express or implied regarding any third-party service provider and our warranties do not apply to failures caused by their work. Problems or defects in the functioning of the systems due to gas plumbing or electrical installed by others are not covered by any warranty offered by Warming Trends.

AON FIRE TABLE WARRANTIES

Residential Installations

Warming Trends warrants the fabrication and structure of each AON™ fire table (each, an "AON") for 3 years from the purchase date. This warranty is transferable, but we reserve the right to require proof of ownership for any transferred AONs including proof that the AON was not acquired through improper means or unauthorized re-sellers. Burners and Ignition Systems included in AONs are covered by the applicable warranties above. Warming Trends warrants the powder coating on AONs for 12 months from date of delivery. Warming Trends does not warrant against any damage occurring during or after installation or for normal wear and tear, including fading due to exposure to sunlight. The flush-mounted lids are susceptible to damage due to their intended use. Chips may occur on the corners and edges of the lids over time and are not covered by warranty. Warming Trends recommends covering your AON during inclement weather or seasonal changes.

Commercial Installations

Warming Trends warrants the fabrication and structure of each AON for 1 year from the purchase date. This warranty is transferable, but we reserve the right to require proof of ownership for any transferred AONs including proof that the AON was not acquired through improper means or unauthorized re-sellers. Burners and Ignition Systems included in AONs are covered by the applicable warranties above. Warming Trends warrants the powder coating on AONs for 12 months from date of delivery. Warming Trends does not warrant against any damage occurring during or after installation or for normal wear and tear, including fading due to exposure to sunlight. The flush mounted lids are susceptible to damage due to their intended use. Chips may occur on the corners and edges of the lids over time and are not covered by warranty. Warming Trends recommends covering your AON during inclement weather or seasonal changes.

ITEMS NOT COVERED BY WARRANTIES FOR AON FIRE TABLES

Media made from ceramic or steel must be at least 4" from edges of the AON as excessive heat can cause warping and damage to the structure of the AON. Incorrect use of media shall void the above warranties. Warming Trends does not warrant against the natural process of steel aging or rusting. Warming Trends does not warrant any services related to our AONs, including installation, unless we provided those services to you. You may have warranty rights from the service provider, but we make no representations or warranties express or implied regarding any third-party service provider and our warranties do not apply to failures caused by their work. Warming Trends does not warrant against damage caused by improper ventilation. AONs are equipped with leveling feet which are to be used to create ventilation around the entire base perimeter of up to 2" of clear space.

DISCLAIMER OF ADDITIONAL WARRANTIES

OTHER THAN THE SPECIFIC WARRANTIES SET FORTH IN THIS WARRANTY POLICY, WARMING TRENDS MAKES NO REPRESENTATIONS OR WARRANTIES WITH RESPECT TO ITS BURNERS OR IGNITION SYSTEMS, WHETHER EXPRESS OR IMPLIED, INCLUDING, BUT NOT LIMITED TO, IMPLIED WARRANTIES OF MERCHANTABILITY AND FITNESS FOR A PARTICULAR PURPOSE.

No dealer, distributor, or other person has the authority to represent or warrant a Warming Trends product beyond the terms contained within this warranty, and Warming Trends assumes no liability for such warranty representations. Any questions concerning this warranty should be directed to the Warming Trends corporate office or via email to legal@warming-trends.com.

ADDITIONAL TERMS AND CONDITIONS

ALL BURNERS AND ELECTRONICS MUST BE COVERED WHEN NOT IN USE OR WARRANTY IS NULL AND VOID.

While some of our warranties are passed-through or provided in cooperation with affiliates and/or third parties, Warming Trends will honor the warranties contained in this Warranty Policy for all products purchased from us, but we may coordinate internally with the necessary third parties in order to do so.

Name _____ Dealer _____
Address _____ Dealer City/State _____
City/State _____ Dealer Phone _____
Phone _____ Date _____

FIRE FEATURE INFORMATION

BTU Supply at Site _____ Gas Type (Check one) NG LP

Is the Fire Feature preexisting or new? _____

If new, which materials will be used? _____

Inside Dimensions of Fire Feature _____ x _____ x _____
(width) (length) (height)

Other information _____

ORDER DETAIL

Style and Size _____

Plate Pan Size _____ Cover _____

Flex Line Kit _____

Ignition System (check one) _____ Match Lit _____ Push Button _____ 3 Volt
_____ Mercury Ignition _____ Platinum Ignition _____ 24 Volt Spark Ignition

Electronic Add-Ons _____ 3 Volt Remote _____ 24 Volt Key Chain Remote _____ Emergency Stop
_____ DTES1HR _____ 2 Hour Dial Timer _____ 12 Hour Dial Timer

Accessories Black Lava Rock _____ (bags) Ceramic Oak Logs _____ (set size)
 Rolled Lava _____ (bags) Steel Log Set _____ (set size)
 Rolled Lava - SM _____ (bags) Firestorm Log Set _____ (set size)
 Fire Glass _____ (color)

Other information _____

Please submit orders to orders@warming-trends.com
For questions call (303) 346-2224.

INNOVATION. **DEFINED.**



PLATINUM IGNITION

680,000 BTUs of Gas Output.
Superior Reliability.
Unmatched Price.



WATERSTOP™

Protects Electronics
and Valve Systems from
Water and Debris while
**Delivering Outstanding
Flame Performance.**

WARMING  **TRENDS**®
SUPERIOR FIRE FEATURE SYSTEMS

DEALER CATALOG

NOT FOR DISTRIBUTION. AUTHORIZED USE ONLY.



Visit us at Warming-Trends.com for
up-to-date product information.

PATENTED
www.Warming-Trends.com/Patents

VTV
FALL 2023

WARMING & TRENDS[®]

SUPERIOR FIRE FEATURE SYSTEMS



DEALER CATALOG

NOT FOR DISTRIBUTION. AUTHORIZED USE ONLY.

PATENTED

www.warming-trends.com/patents